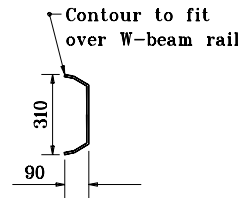
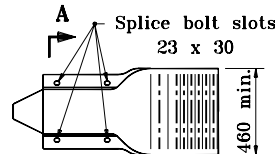


TOP VIEW

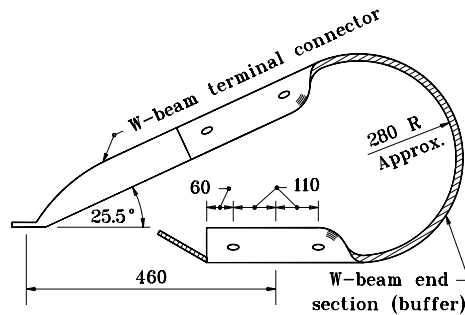
**W-BEAM END SECTION (BUFFER)**



SECTION A-A

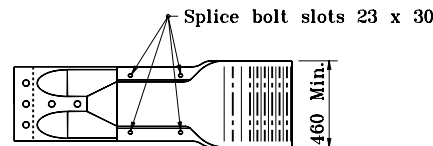


SIDE VIEW

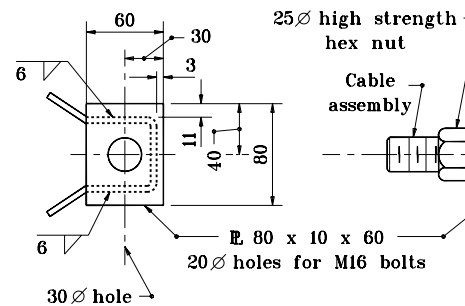


TOP VIEW

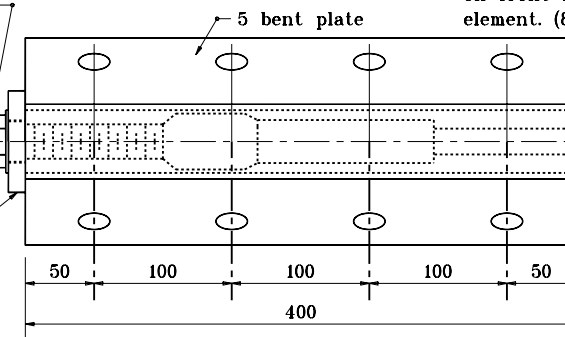
**TERMINAL END BUFFER**



SIDE VIEW

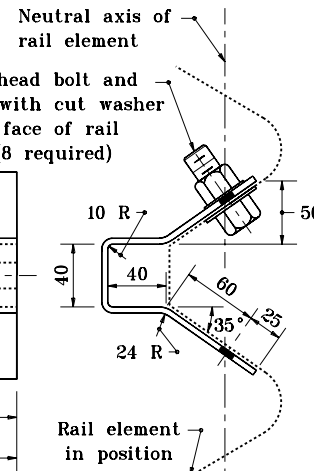


LEFT END VIEW



ANCHOR PLATE

M10 hex head bolt and hex nut with cut washer on front face of rail element. (8 required)



RIGHT END VIEW

**GENERAL NOTES**

1. This sheet shall be used in conjunction with Standard Drawings 601-CWGS-01, 02, 03, and 06.
2. The details on this sheet are for the standard components of the curved W-beam guardrail terminal systems.
3. An alternate single piece having similar dimensional shape to be Terminal End Buffer and mating with the W-beam guardrail may be used.
4. The W-beam terminal connector shall be steel of 3.5 thickness.
5. If the W-beam terminal connector is lapped on the outside of the guardrail, a galvanized 25 I.D. 50 O.D., 3.5 thick, narrow plain washer shall be placed under the splice bolt heads.
6. Attach the W-beam to the steel pipe with a 16 diameter x 32 length button head bolt with no washer. No connection to the post is required.
7. Nuts for the anchor cable assembly shall be hand tightened, plus one complete turn at the anchor plate end. All other nuts shall be torqued to 68 N m.

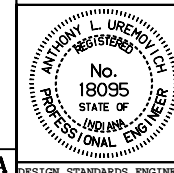
All dimensions are in mm unless otherwise specified.

INDIANA DEPARTMENT OF TRANSPORTATION

**CURVED W-BEAM  
GUARDRAIL SYSTEM**

APRIL 1996

STANDARD DRAWING NO. 601-CWGS-05



/s/ Anthony L. Uremovich 4-01-96  
DESIGN STANDARDS ENGINEER DATE

/s/ Donald W. Lucas 4-01-96  
CHIEF HIGHWAY ENGINEER DATE

Source Sheet: E-4A