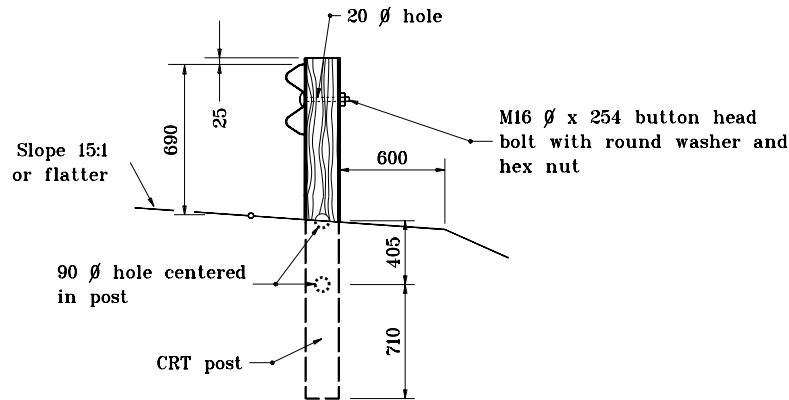
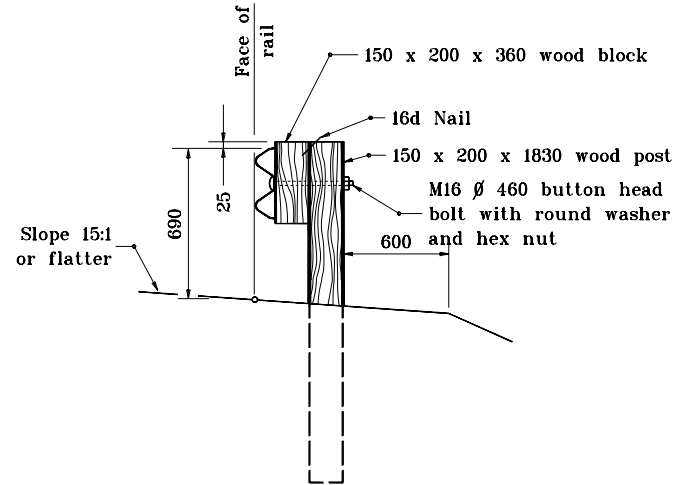


TABLE CWGS-2		
RADIUS	NO. OF CRT POSTS	REQUIRED AREA FREE OF FIXED OBJECTS L x W
2590	5	7620 x 4570
5180	6	9140 x 4570
7770	8	12190 x 6100
10670	11	15240 x 6100

See Standard Drawing 601-CWGS-03 for General Notes.



SECTION A-A



SECTION B-B

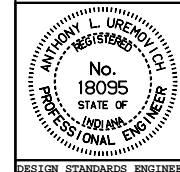
All dimensions are in mm unless otherwise specified.

INDIANA DEPARTMENT OF TRANSPORTATION

**CURVED W-BEAM
GUARDRAIL SYSTEM**

JANUARY 2000

STANDARD DRAWING NO. **601-CWGS-02**



/s/ Anthony L. Uremovich 1-03-00
DESIGN STANDARDS ENGINEER DATE

/s/ Firooz Zandi 1-03-00
CHIEF HIGHWAY ENGINEER DATE

DESIGN STANDARDS ENGINEER