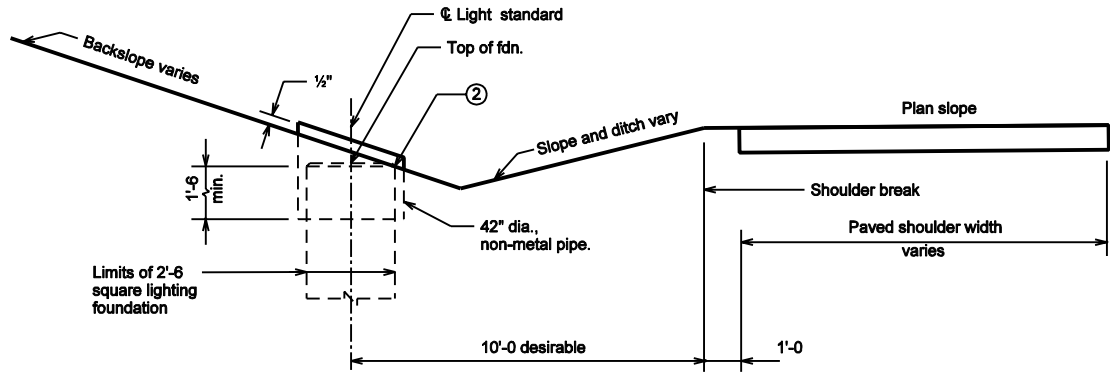


ELEVATION, CUT SECTION, ROUND FOUNDATION



ELEVATION, CUT SECTION, SQUARE FOUNDATION

- Notes:**
- ① ② See Standard Drawing E 807-LTFD-05 for General Notes.
 - 3. Transformer base door shall face roadway.
 - 4. Foundation shall not be installed on ditch line.

INDIANA DEPARTMENT OF TRANSPORTATION	
LIGHT STANDARD FOUNDATION GRADING CUT SECTION	
SEPTEMBER 2002	
STANDARD DRAWING NO. E 807-LTFD-04	
	/s/ Richard L. VanCleave 9-03-02 DESIGN STANDARDS ENGINEER DATE
	/s/ Richard K. Smutzer 9-03-02 CHIEF HIGHWAY ENGINEER DATE