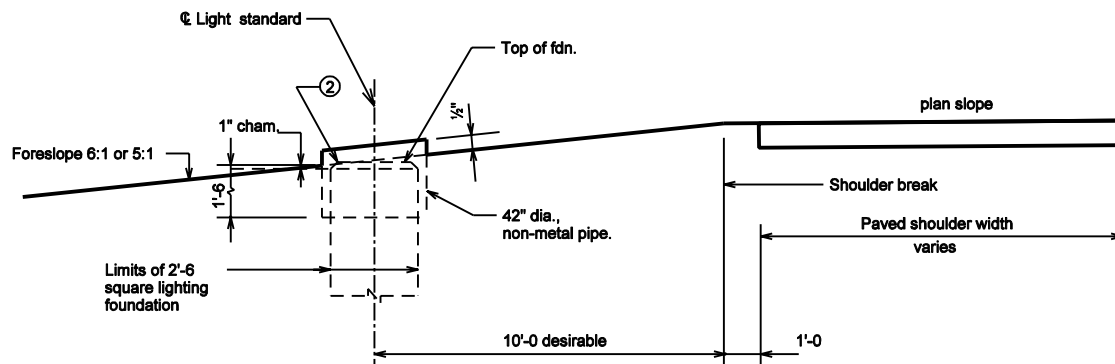


ELEVATION, FILL SECTION, 6:1 OR 5:1 SLOPE, ROUND FOUNDATION

Notes:

- ① ② See Standard Drawing E 807-LTFD-05 General Notes.
- 3. Transformer base door shall face the right-of-way line.



ELEVATION, FILL SECTION, 6:1 OR 5:1 SLOPE, SQUARE FOUNDATION

INDIANA DEPARTMENT OF TRANSPORTATION	
LIGHT STANDARD FOUNDATION GRADING SEPTEMBER 2002	
STANDARD DRAWING NO. E 807-LTFD-02	
	<i>/s/ Richard L. VanCleave</i> 9-03-02 DESIGN STANDARDS ENGINEER DATE
	<i>/s/ Richard K. Smutzer</i> 9-03-02 CHIEF HIGHWAY ENGINEER DATE