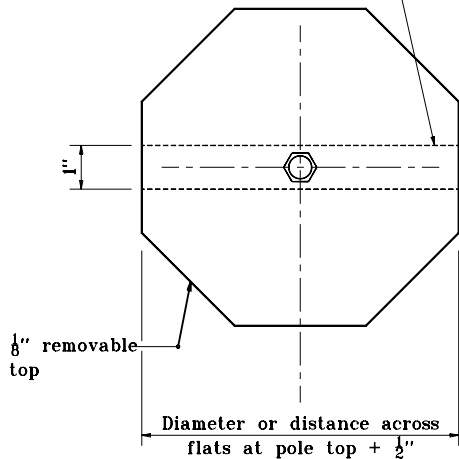
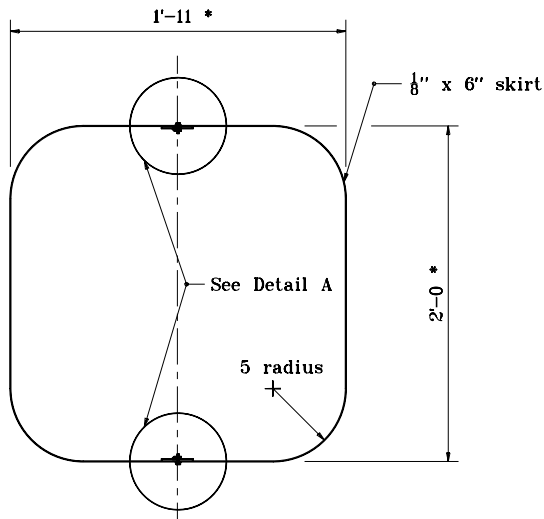


Bar to be welded to inside of pole  
 $\frac{1}{4}$  in x 1 in. with  $\frac{3}{8}$  in.  
 $\frac{3}{8}$ " threaded hole

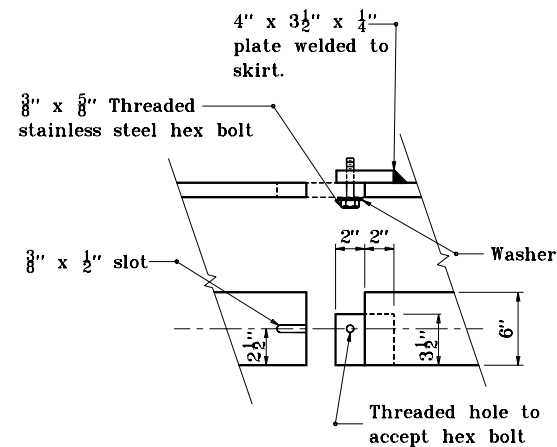


**TOP COVER**

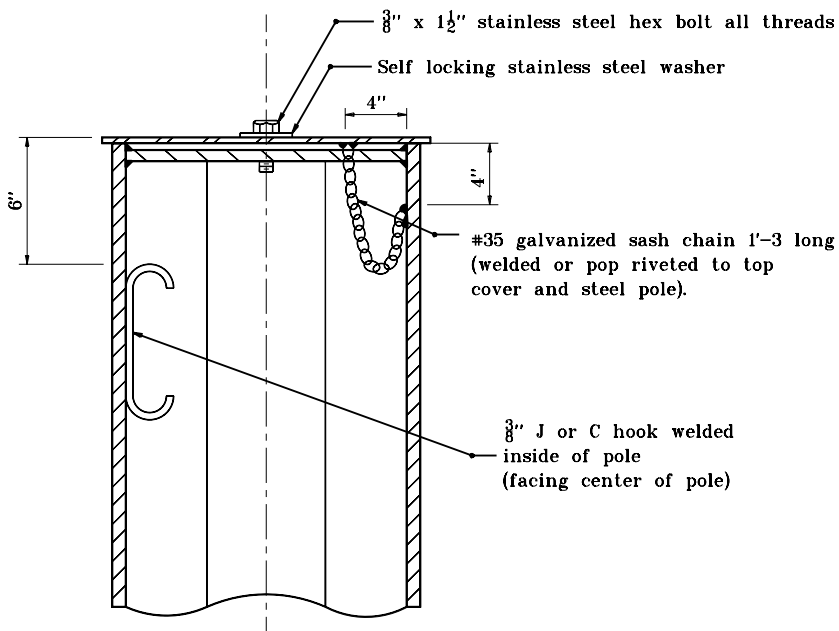


\* Inside dimension

**METAL SKIRT (BASE PLATE)**



**DETAIL A**

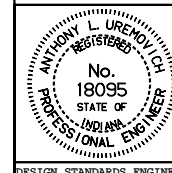


INDIANA DEPARTMENT OF TRANSPORTATION

**TOP COVER AND METAL SKIRT  
 OF SIGNAL STEEL STRAIN POLE**

MARCH 1995

STANDARD DRAWING NO. **E 805-SGSP-02**



DETAILS PLACED IN THIS FORMAT 11-15-99

/s/ Anthony L. Uremovich 11-15-99  
 DESIGN STANDARDS ENGINEER DATE

/s/ Firooz Zandi 11-15-99  
 CHIEF HIGHWAY ENGINEER DATE

DESIGN STANDARDS ENGINEER

ORIGINALLY APPROVED 3-01-95