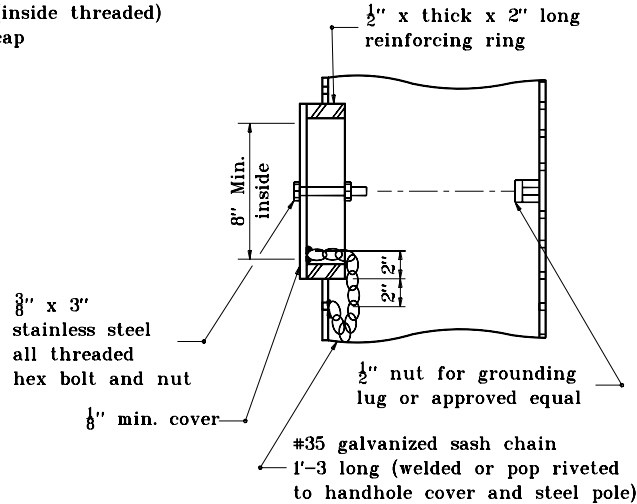


HANDHOLE AND GROUNDING LUG



GENERAL NOTES:

- ① Taper pole $\frac{1}{8}$ in. per foot of length.
- ② Band position can be variable depending of minimum clearance requirement of tether the cable over the road, and the elevation of the top of the foundation relative to the top of the traveled roadway.
- ③ Design load of 8500 lb applied perpendicular to pole axis 1'-6 from top of pole.

POLE BAND POSITION			
POLE LENGTH	A	B	C
30 ft	6"	8'-0	12'-0
36 ft	1'-0	13'-0	17'-0

POLE BAND SIZE NUMBER	O.D.(ACROSS POINTS) OF POLE (ROUND OR MULTISIDED)	
	MIN.	MAX.
12	11	1'-1
13	1'-1	1'-2
14	1'-2	1'-3
15	1'-3	1'-4

INDIANA DEPARTMENT OF TRANSPORTATION	
30 ft. AND 36 ft. SIGNAL STEEL STRAIN POLES	
MARCH 1995	
STANDARD DRAWING NO. E 805-SGSP-01	
	DETAILS PLACED IN THIS FORMAT 11-15-99
	/s/ Anthony L. Uremovich 11-15-99 DESIGN STANDARDS ENGINEER DATE
	/s/ Firooz Zandi 11-15-99 CHIEF HIGHWAY ENGINEER DATE
	ORIGINALLY APPROVED 3-01-95