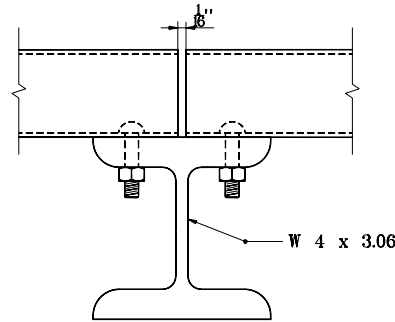
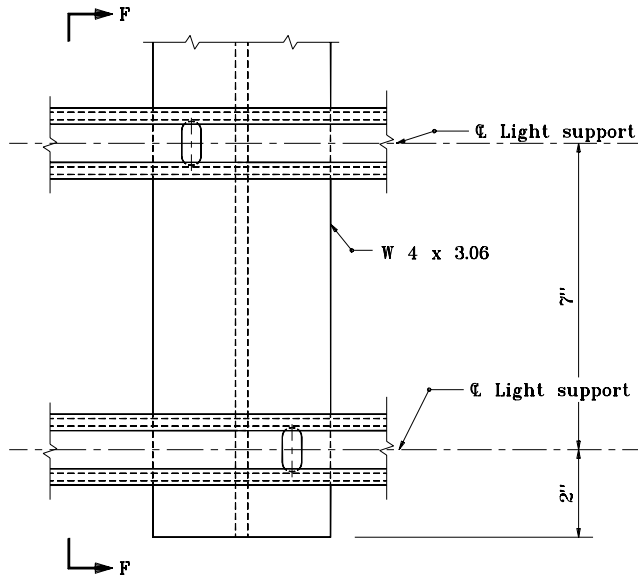


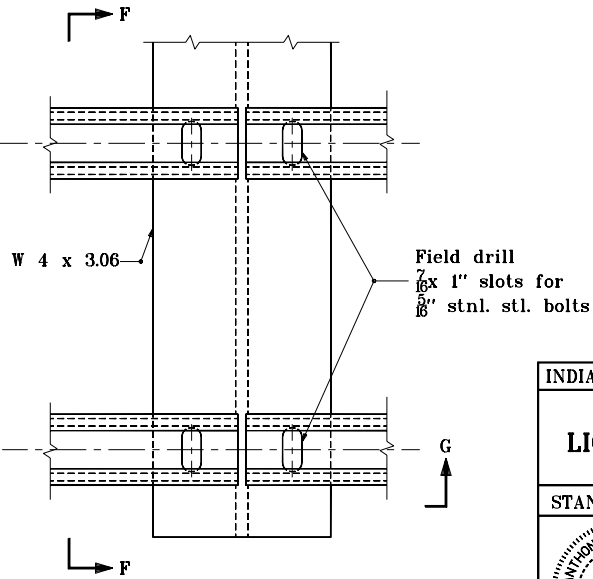
SECTION F-F



SECTION G-G



DETAIL F



DETAIL G

INDIANA DEPARTMENT OF TRANSPORTATION	
SIGN DETAILS	
LIGHTING FIXTURE MOUNTS	
SEPTEMBER 2001	
STANDARD DRAWING NO.E 802-SNWW-06	
	<i>/s/ Anthony L. Uremovich</i> 9-04-01 DESIGN STANDARDS ENGINEER DATE
	<i>/s/ Firooz Zandi</i> 9-04-01 CHIEF HIGHWAY ENGINEER DATE
DESIGN STANDARDS ENGINEER	