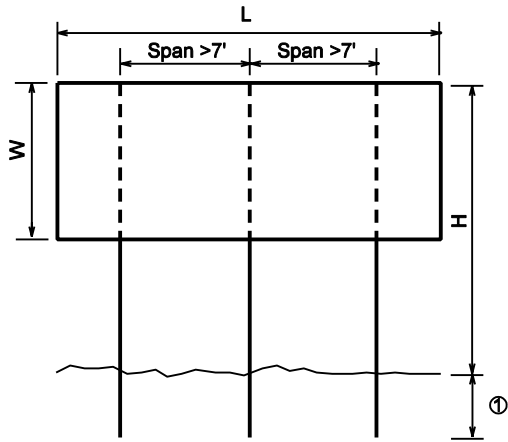
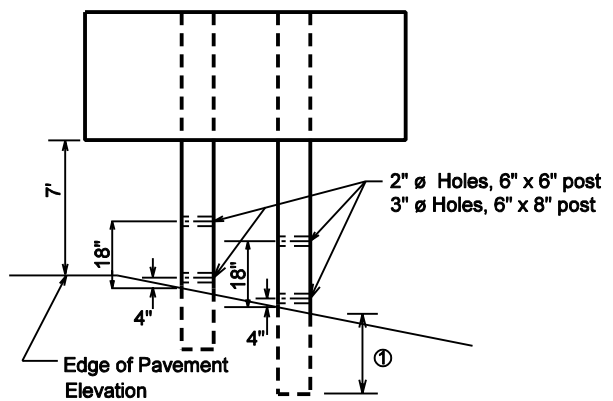


2 - Post Installation

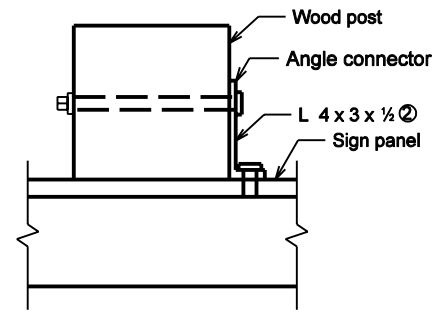


3 - Post Installation

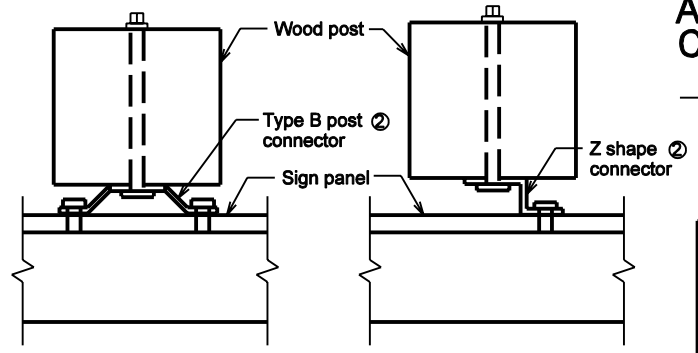


NOTES

- ① This dimension is $H/10 + 3$ feet or a minimum of 5 feet.
- ② The length of each of these pieces equals W.
- 3. See standard drawing E 801-TCSN-15 for post size and number of posts required.



ANGLE SHAPE CONNECTION DETAIL



TYPE B POST CONNECTION DETAIL

Z SHAPE CONNECTION DETAIL

INDIANA DEPARTMENT OF TRANSPORTATION	
TEMPORARY PANEL SIGN BREAK-AWAY POST INSTALLATION	
MARCH 2002	
STANDARD DRAWING NO. E 801-TCSN-14	
	<i>/s/ Richard L. VanCleave</i> 3-01-02 DESIGN STANDARDS ENGINEER DATE
	<i>/s/ Richard K. Smutzer</i> 3-01-02 CHIEF HIGHWAY ENGINEER DATE
DESIGN STANDARDS ENGINEER	