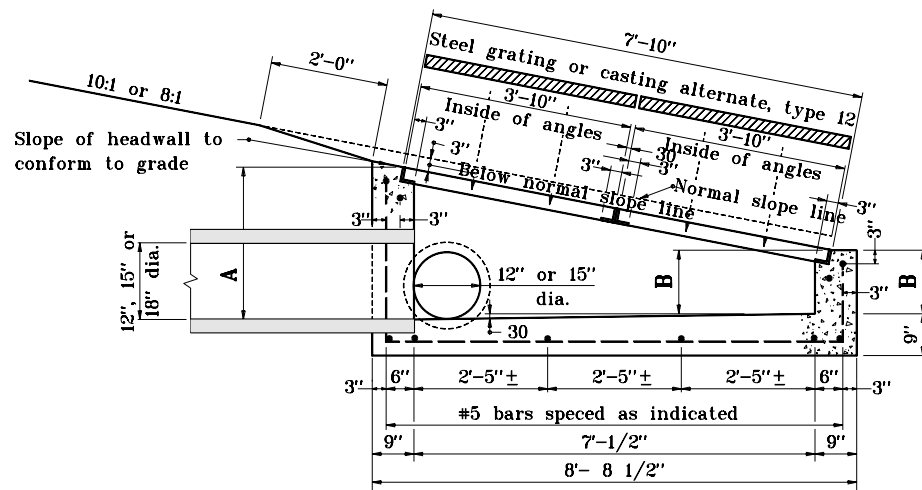
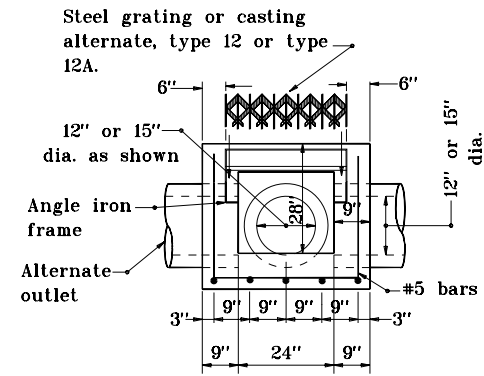


**SECTION A-A**  
Showing Grate Slope of 6:1



**SECTION A-A**  
Showing Grate Slope of 8:1 or 10:1

		TYPE N INLET					
PIPE SIZE	6:1		8:1		10:1		
	A	B	A	B	A	B	
12"	21 1/2"	5'	21 1/2"	8 7/8"	21 1/2"	11 1/8"	
15"	24 3/4"	8 1/4"	24 3/4"	12 1/8"	24 3/4"	14 3/8"	
18"	28"	11 1/2"	28"	15 3/8"	28"	17 5/8"	



**SECTION B-B**

INDIANA DEPARTMENT OF TRANSPORTATION

**INLET TYPE N**

MAY 1998

STANDARD DRAWING NO. E 720-INST-08

DETAILS PLACED IN THIS FORMAT 11-15-99

ANTHONY L. UREMOWICH  
No. 18095  
STATE OF INDIANA  
REGISTERED PROFESSIONAL ENGINEER

/s/ Anthony L. Uremovich 11-15-99  
DESIGN STANDARDS ENGINEER DATE

/s/ Firooz Zandi 11-15-99  
CHIEF HIGHWAY ENGINEER DATE

DESIGN STANDARDS ENGINEER ORIGINALLY APPROVED 5-01-98