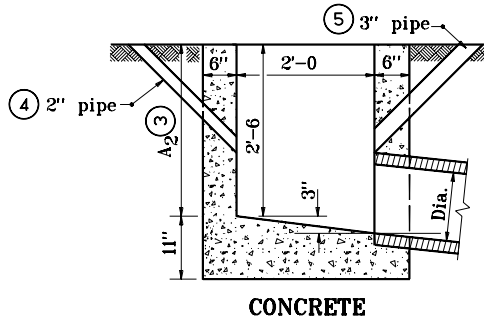
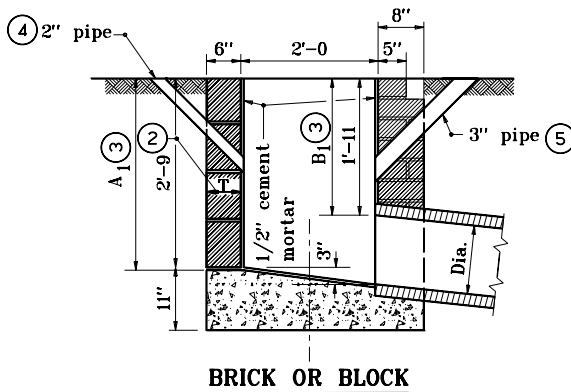
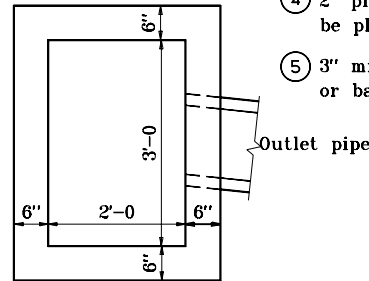
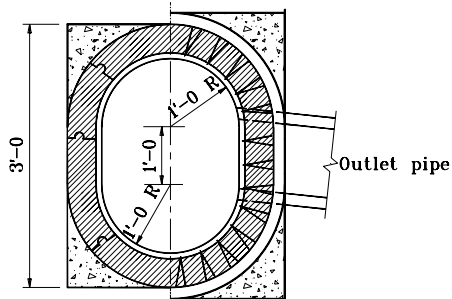


GENERAL NOTES

1. Brick, block, or concrete may be used.
- ② T = 8" for brick structure
T = 6" for segmental block structure
- ③ If inlet pipe is required, A₁, B₁, A₂, and B₂ shall be increased or decreased 1'-0", as directed
- ④ 2" pipe drain from bottom of curb to inlet. Aggregate to be placed around inlet end of pipe.
- ⑤ 3" min. dia. pipe to be kept open for drainage of subgrade or base until surface is placed.

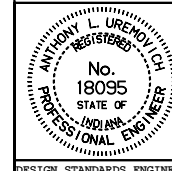


INDIANA DEPARTMENT OF TRANSPORTATION

INLET TYPE J

APRIL 1995

STANDARD DRAWING NO. E 720-INST-06



DETAILS PLACED IN THIS FORMAT 11-15-99

/s/ Anthony L. Uremovich 11-15-99
DESIGN STANDARDS ENGINEER DATE

/s/ Firooz Zandi 11-15-99
CHIEF HIGHWAY ENGINEER DATE

DESIGN STANDARDS ENGINEER

ORIGINALLY APPROVED 4-03-95