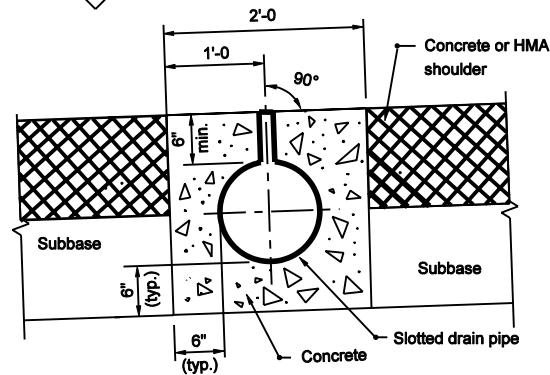


PLAN VIEW



SECTION A-A

NOTES :

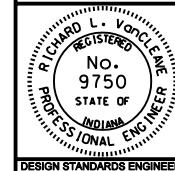
- ① Inlet and outlet pipe orientation to meet site conditions.
2. See Standard Drawing E 720-INST-05A for inlet Type H placement and details.
- ③ Barrier delineators provided to indicate the location of the inlets and shall be centered on top of concrete barrier at the inlets.

INDIANA DEPARTMENT OF TRANSPORTATION

**INLET TYPE H
WITH SLOTTED DRAIN PIPE**

MARCH 2003

STANDARD DRAWING NO. E 720-INST-05B



/s/ Richard L. VanCleave 3-03-03
DESIGN STANDARDS ENGINEER DATE

/s/ Richard K. Smutzer 3-03-03
CHIEF HIGHWAY ENGINEER DATE

DESIGN STANDARDS ENGINEER