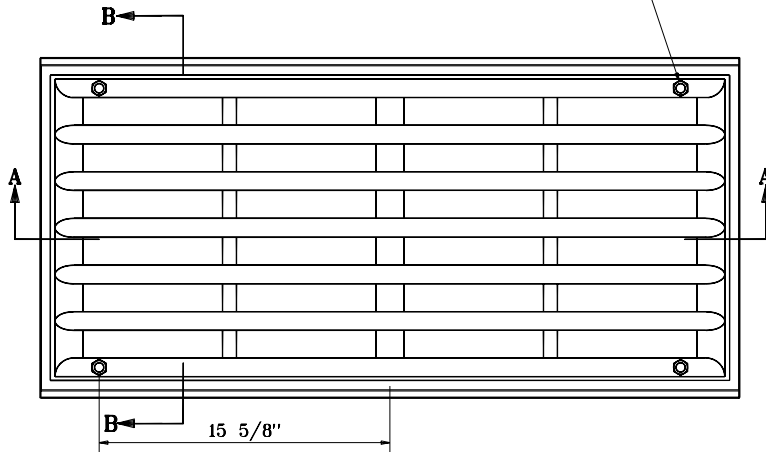
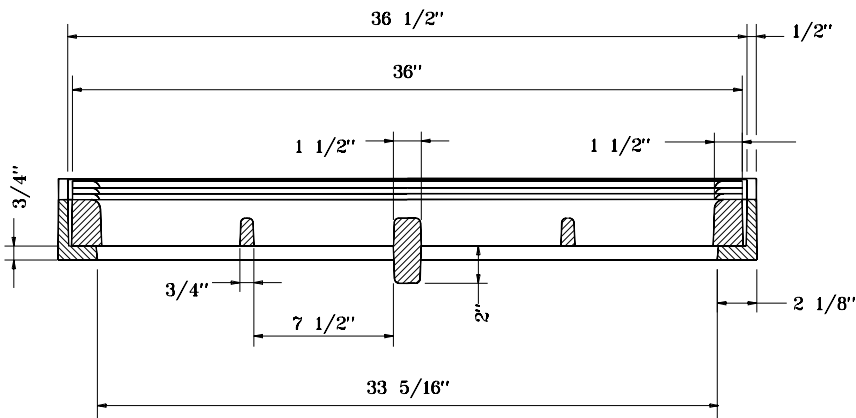


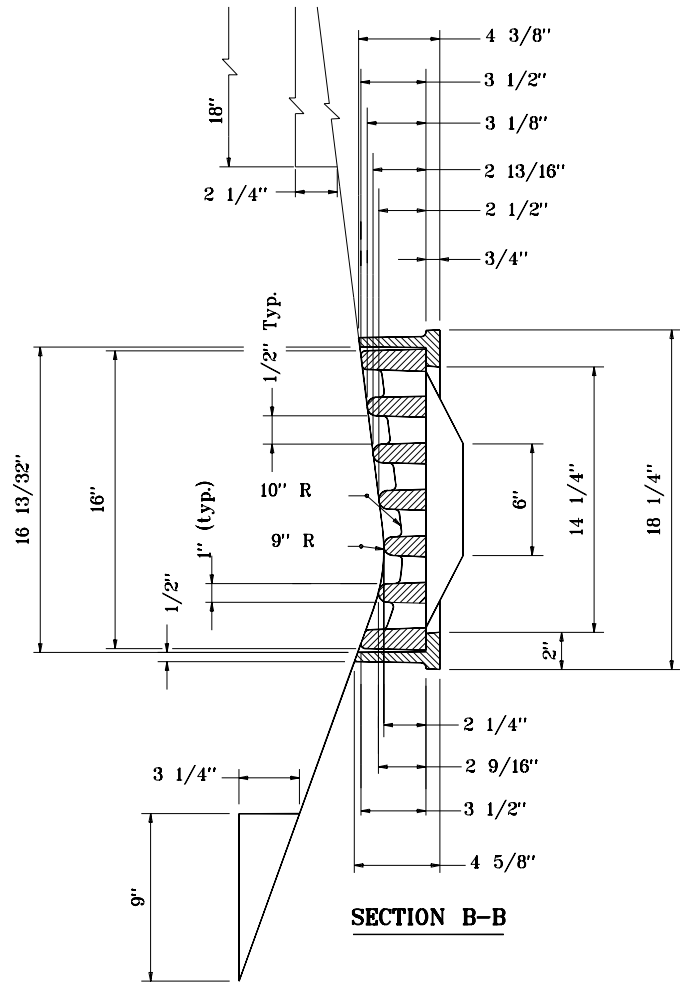
Drill and tap for
 3/8" x 2" stainless steel
 hex bolt with washer (4 places)



PLAN



SECTION A-A



SECTION B-B

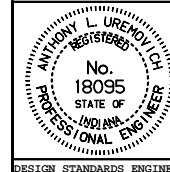
INDIANA DEPARTMENT OF TRANSPORTATION

**INLET CASTING
 TYPE 6**

SEPTEMBER 1998

STANDARD DRAWING NO. **E 720-INCA-01**

DETAILS PLACED IN THIS FORMAT 11-15-99



/s/ Anthony L. Uremovich 11-15-99
 DESIGN STANDARDS ENGINEER DATE

/s/ Firooz Zandi 11-15-99
 CHIEF HIGHWAY ENGINEER DATE

DESIGN STANDARDS ENGINEER

ORIGINALLY APPROVED 9-01-98