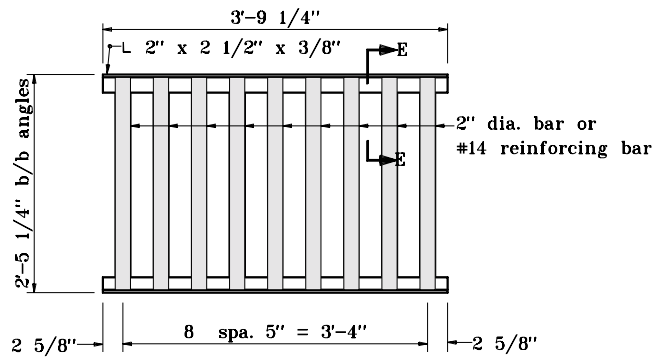
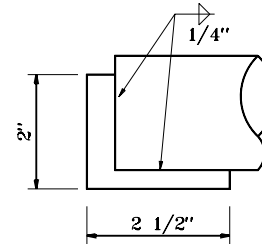


**GENERAL NOTES**

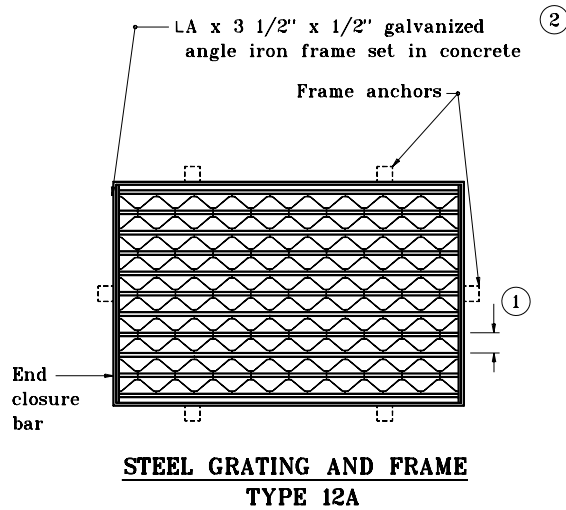
- ① Spacing shall be  $1\frac{7}{8}$ " c. to c. min., and  $2\frac{3}{8}$ " c. to c. max.
- ② The dimensions of the angle iron frame shall be as shown except that the A dimension may vary according to type of grating used.



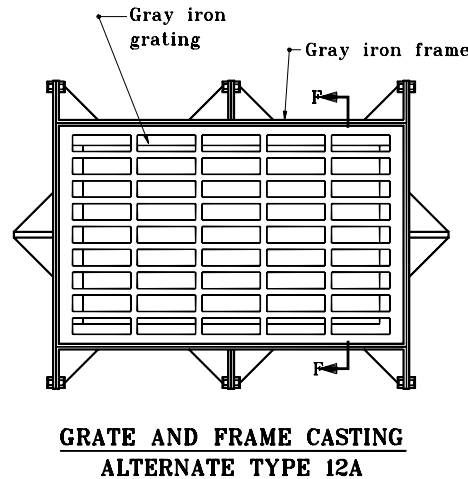
**ALTERNATE STEEL GRATING**  
(To be used with steel frame type 12 or 12A)



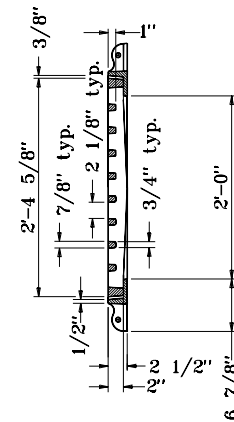
**SECTION E-E**



**STEEL GRATING AND FRAME TYPE 12A**



**GRATE AND FRAME CASTING ALTERNATE TYPE 12A**



**SECTION F-F**

INDIANA DEPARTMENT OF TRANSPORTATION  
**STEEL GRATING TYPE 12A**  
**FRAME AND GRATE**  
SEPTEMBER 1998

STANDARD DRAWING NO. E 720-ICCA-12

	DETAILS PLACED IN THIS FORMAT	11-15-99
	/s/ Anthony L. Uremovich	11-15-99
	DESIGN STANDARDS ENGINEER	DATE
	/s/ Firooz Zandi	11-15-99
	CHIEF HIGHWAY ENGINEER	DATE
DESIGN STANDARDS ENGINEER	ORIGINALLY APPROVED	9-01-98