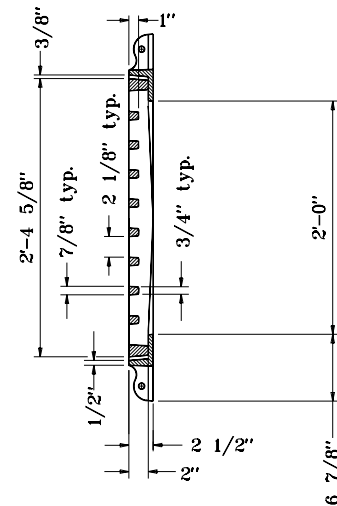
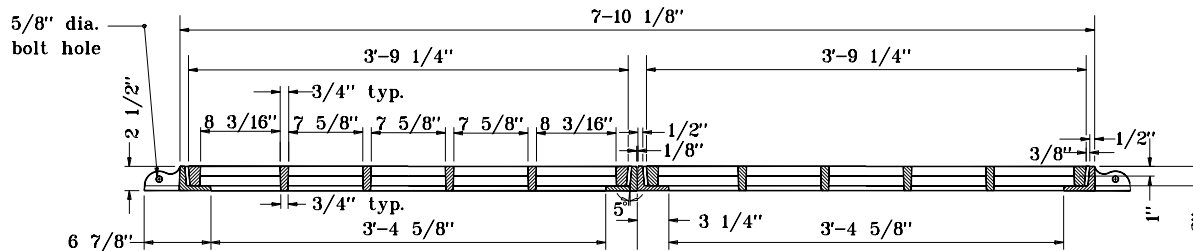


PLAN



SECTION D-D



SECTION A-A

**GRATE AND FRAME CASTING
ALTERNATE TYPE 12**

INDIANA DEPARTMENT OF TRANSPORTATION
CASTING TYPE 12 (ALTERNATE)
FRAME AND GRATE
SEPTEMBER 1998

STANDARD DRAWING NO. E 720-ICCA-11

	DETAILS PLACED IN THIS FORMAT 11-15-99
	/s/ Anthony L. Uremovich 11-15-99 DESIGN STANDARDS ENGINEER DATE
	/s/ Firooz Zandi 11-15-99 CHIEF HIGHWAY ENGINEER DATE
DESIGN STANDARDS ENGINEER	ORIGINALLY APPROVED 9-01-98