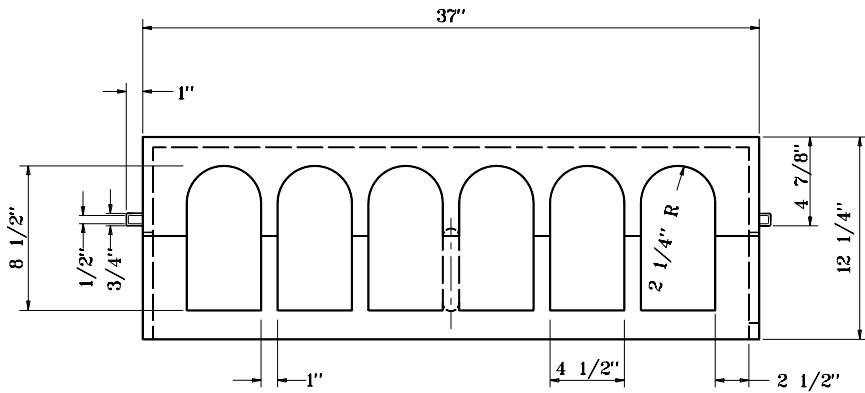
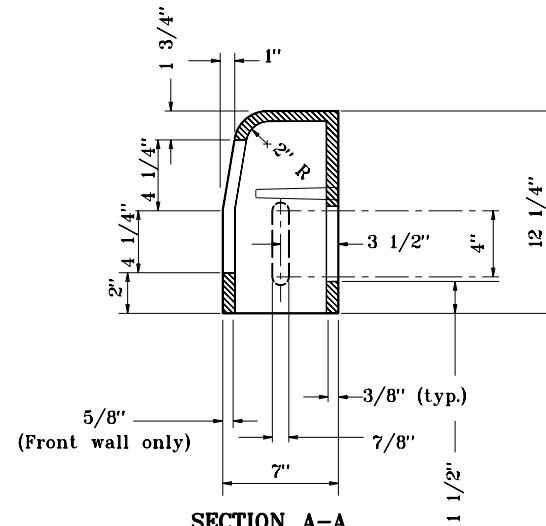


GENERAL NOTES

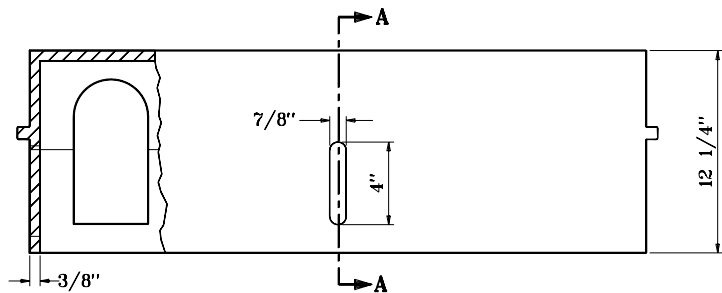
1. Curb box adjustable
5 1/4" to 8 3/4".



FRONT

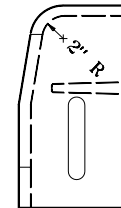


SECTION A-A



BACK

**CURB BOX
CASTING 10**



SIDE

INDIANA DEPARTMENT OF TRANSPORTATION	
CASTING TYPE 10	
CURB BOX	
SEPTEMBER 1998	
STANDARD DRAWING NO.E 720-ICCA-09A	
	DETAILS PLACED IN THIS FORMAT 11-15-99
/s/ Anthony L. Uremovich REGISTERED PROFESSIONAL ENGINEER	11-15-99 DATE
/s/ Firooz Zandi CHIEF HIGHWAY ENGINEER	11-15-99 DATE
DESIGN STANDARDS ENGINEER	ORIGINALLY APPROVED 9-01-98