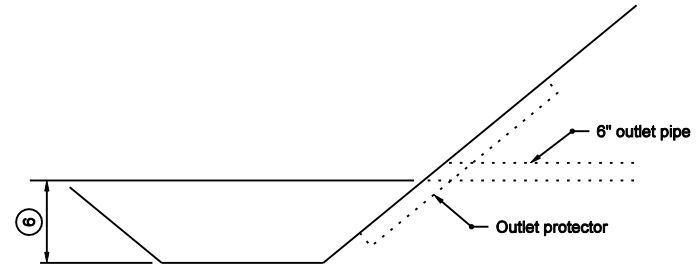
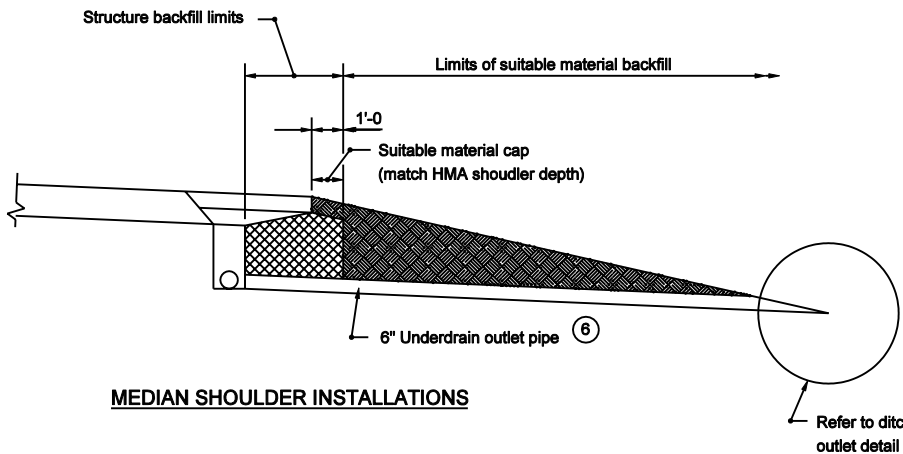


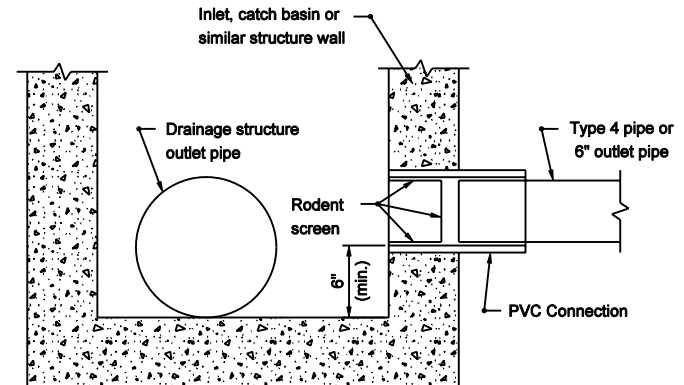
**OUTSIDE SHOULDER INSTALLATIONS**



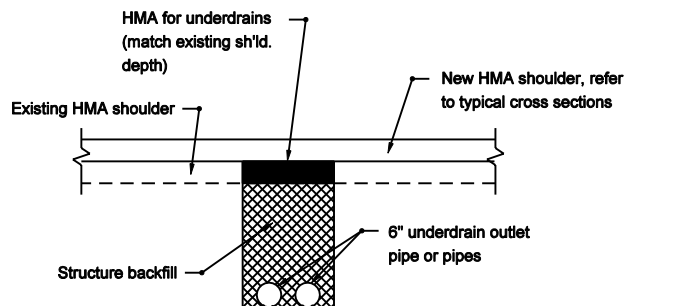
**DITCH OUTLET DETAIL**



**MEDIAN SHOULDER INSTALLATIONS**



**DRAINAGE STRUCTURE OUTLET DETAIL**



**RETROFIT UNDERDRAIN OUTLET DETAIL (UNDER PAVED SHOULDER)**

**NOTE:**

1. Standard Drawing E 718-UNDR-07 for General Notes pertaining to this sheet.

INDIANA DEPARTMENT OF TRANSPORTATION	
UNDERDRAIN DETAILS	
MARCH 2003	
STANDARD DRAWING NO. E 718-UNDR-02	
	/s/ Anthony L. Uremovitch 3-03-03 DESIGN STANDARDS ENGINEER DATE
	/s/ Richard K. Smutzer 3-03-03 CHIEF HIGHWAY ENGINEER DATE
DESIGN STANDARDS ENGINEER	