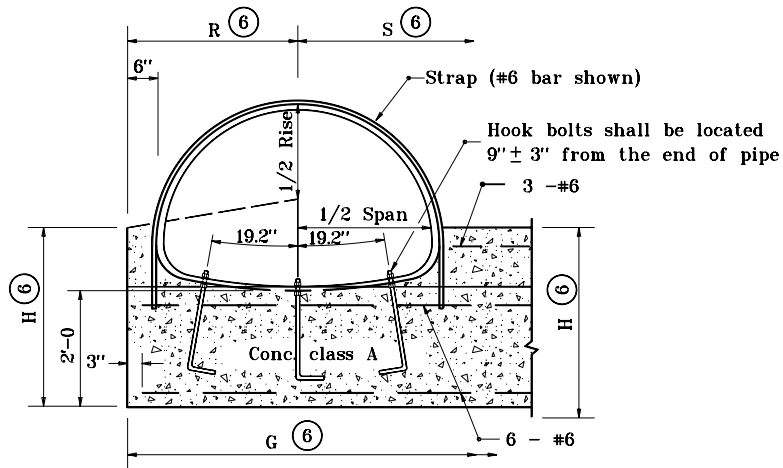


GENERAL NOTES

1. Anchor straps shall be used at both upstream and downstream ends of all structural plate pipes and pipe-arches.
 2. See Standard Drawing E 715-PASD-01 for anchor strap details.
 3. Hook bolts and anchor straps shall be used for all structural plate pipes and pipe-arches with a diameter or span of 84" or greater.
 4. See Standard Drawing E 715-PAHB-01 for hook bolt details.
 5. Riprap shall be placed at the ends of pipe structures when shown on the plans.
- ⑥ For dimension, enter chart on Standard Drawings E 717-ANCH-01 or E 717-ANCH-02 with known dimension D or span and rise.



**ANCHOR FOR STRUCTURAL PLATE PIPE-ARCH
PARTIAL ELEVATION**

INDIANA DEPARTMENT OF TRANSPORTATION	
MULTIPLE PIPE CONCRETE ANCHOR	
JANUARY 1998	
STANDARD DRAWING NO. E 717-MPCA-02	
	DETAILS PLACED IN THIS FORMAT 7-27-99
	/s/ Anthony L. Uremovich 7-27-99 DESIGN STANDARDS ENGINEER DATE
	/s/ Firooz Zandi 7-27-99 CHIEF HIGHWAY ENGINEER DATE
DESIGN STANDARDS ENGINEER	ORIGINALLY APPROVED 1-02-98