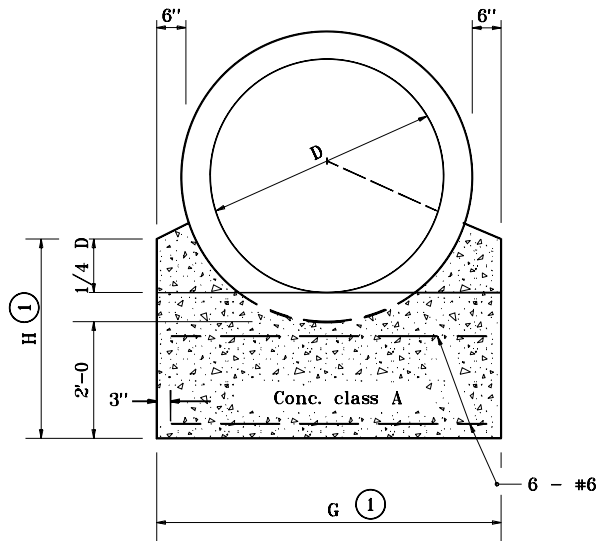
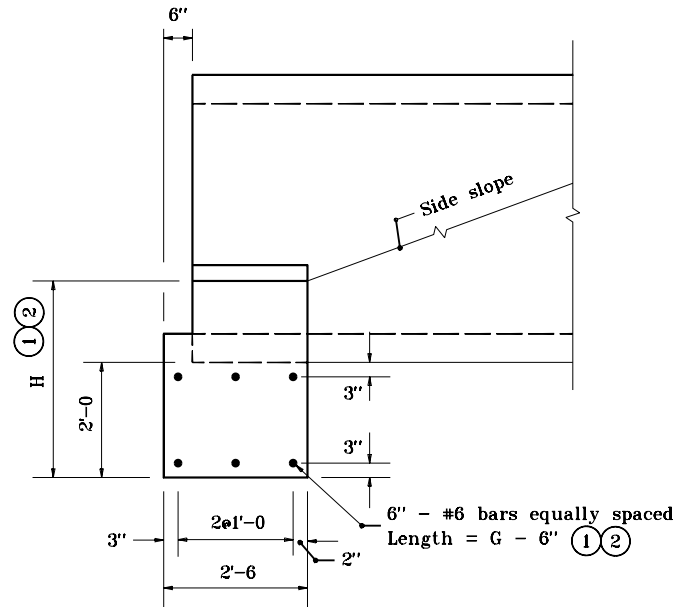


**GENERAL NOTES**

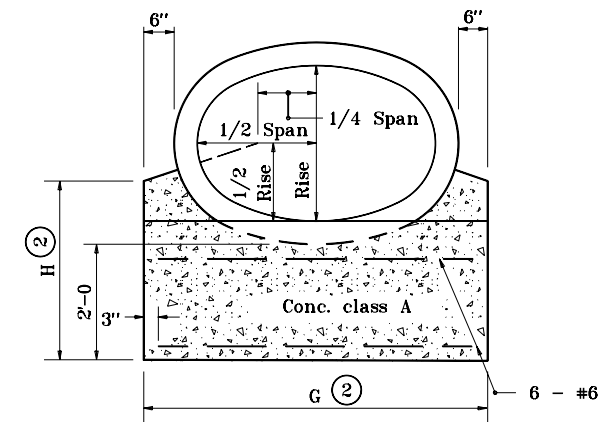
- ① For dimension or enter chart on Standard Drawing E 715-ANCH-01 with known dimension D.
- ② For dimensions, enter chart on Standard Drawing E 715-ANCH-02 with known span and rise.
3. Riprap shall be placed at the ends of pipe structures when shown on plans.



**ANCHOR FOR  
REINFORCED CONCRETE PIPE  
FRONT ELEVATION**



**SIDE ELEVATION**



**ANCHOR FOR  
REINFORCED CONCRETE HORIZONTAL ELLIPTICAL PIPE  
FRONT ELEVATION**

INDIANA DEPARTMENT OF TRANSPORTATION	
<b>SINGLE PIPE CONCRETE ANCHOR</b>	
JANUARY 1998	
<b>STANDARD DRAWING NO. E 715-SPCA-02</b>	
DETAILS PLACED IN THIS FORMAT 7-27-99	
	/s/ Anthony L. Uremovich 7-27-99 DESIGN STANDARDS ENGINEER DATE
	/s/ Firooz Zandi 7-27-99 CHIEF HIGHWAY ENGINEER DATE
DESIGN STANDARDS ENGINEER	ORIGINALLY APPROVED 1-02-98