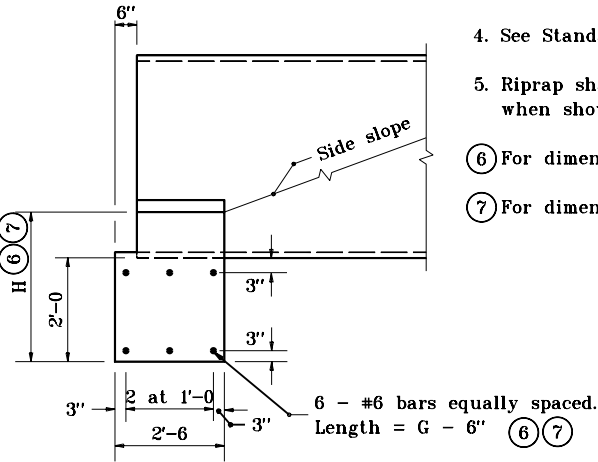
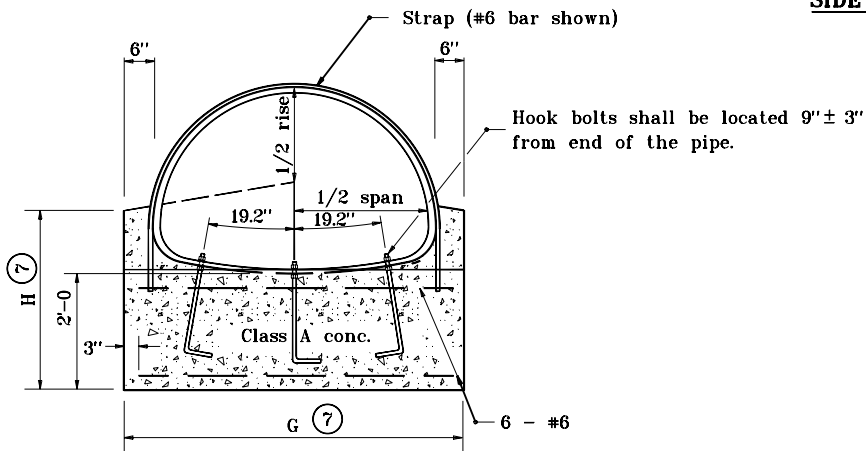


**ANCHOR FOR CIRCULAR CORRUGATED METAL PIPE
FRONT ELEVATION**



SIDE ELEVATION



**ANCHOR FOR CORRUGATED METAL PIPE-ARCH
FRONT ELEVATION**

GENERAL NOTES

1. Anchor straps shall be used at both upstream and downstream ends of all C.M. pipes with a diameter or span of 42" or greater.
2. See Standard Drawing E 715-PASD-01 for anchor strap details.
3. Hook bolts and anchor straps shall be used for all C.M. pipes with a diameter or span of 84" or greater.
4. See Standard Drawing E 715-PAHB-01 for hook bolt details.
5. Riprap shall be placed at the ends of pipe structures when shown on plans.

- ⑥ For dimension chart see Standard Drawing E 715-ANCH-01.
⑦ For dimension chart see Standard Drawing E 715-ANCH-02.

LEGEND

C.M. = Corrugated Metal

INDIANA DEPARTMENT OF TRANSPORTATION

**SINGLE PIPE
CONCRETE ANCHOR**
JANUARY 1998

STANDARD DRAWING NO. E 715-SPCA-01

	DETAILS PLACED IN THIS FORMAT	7-27-99
	/s/ Anthony L. Uremovich	7-27-99
	DESIGN STANDARDS ENGINEER	DATE
	/s/ Firooz Zandi	7-27-99
	CHIEF HIGHWAY ENGINEER	DATE
DESIGN STANDARDS ENGINEER	ORIGINALLY APPROVED	1-02-98