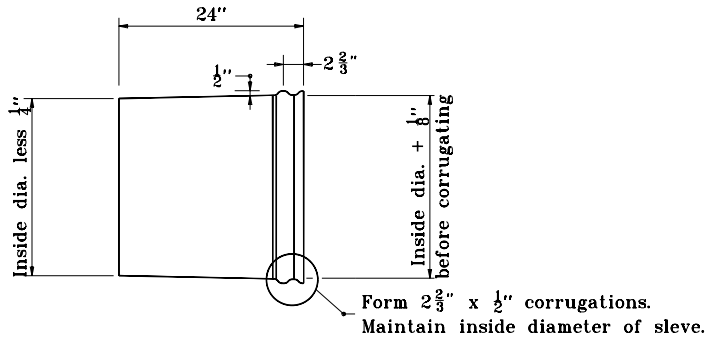
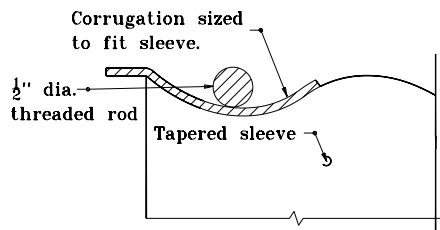


GENERAL NOTES

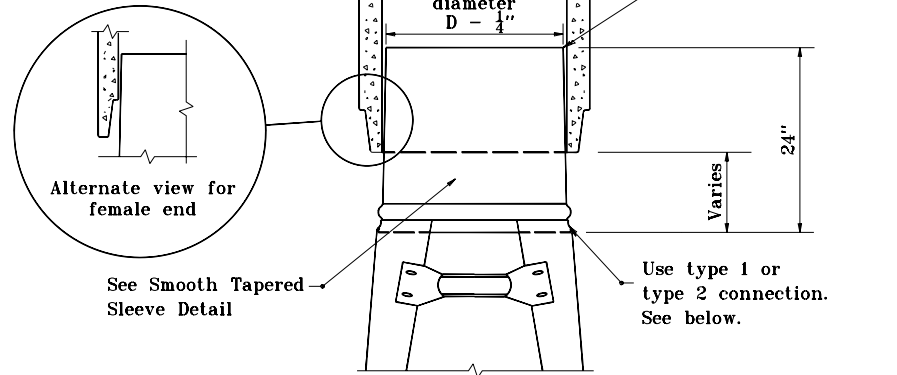
1. For circular pipe diameters through 24", attach end section to pipe with type 1 connector. For all other sizes, attach end section to pipe with type 2 connector.



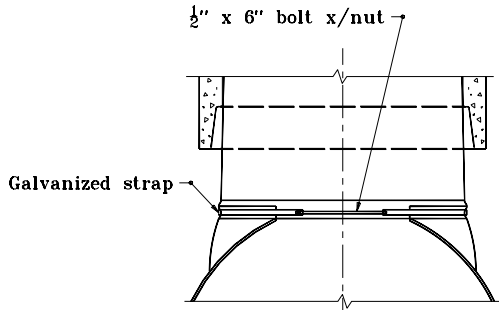
SMOOTH TAPERED SLEEVE DETAIL



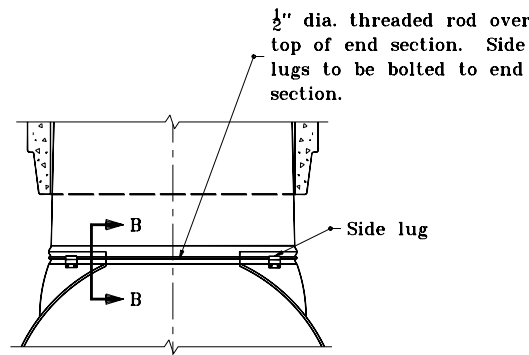
SECTION B-B



TAPERED SLEEVE FOR ATTACHING STEEL END SECTION TO SMOOTH INTERIOR PIPE



TYPE 1 CONNECTOR DETAIL
for all circular pipes through 24"



TYPE 2 CONNECTOR DETAIL
all circular pipes larger than 24"
and all horizontal elliptical pipes

INDIANA DEPARTMENT OF TRANSPORTATION	
SAFETY METAL CULVERT END SECTIONS FOR SMOOTH PIPE	
JANUARY 1998	
STANDARD DRAWING NO. E 715-SMES-08	
DETAILS PLACED IN THIS FORMAT 7-27-99	
	/s/ Anthony L. Uremovich 7-27-99 DESIGN STANDARDS ENGINEER DATE
	/s/ Firooz Zandi 7-27-99 CHIEF HIGHWAY ENGINEER DATE
DESIGN STANDARDS ENGINEER	ORIGINALLY APPROVED 1-02-98