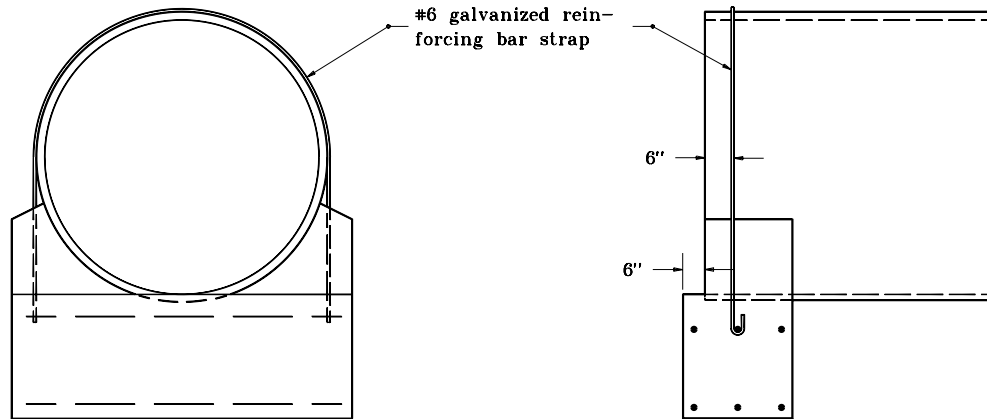
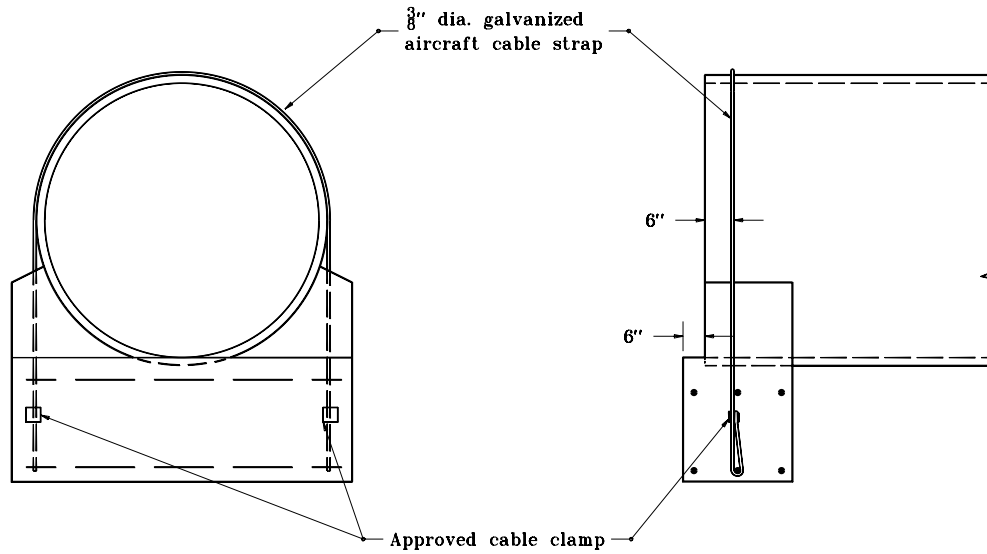


GENERAL NOTES

1. Anchor straps shall be used at both upstream and downstream ends of all C.A., C.S., and structural plate pipes and pipe arches with a diameter or span of 42" or greater.
2. Hook bolts and anchor straps shall be used at both upstream and downstream ends of all C.A., C.S., and structural plate pipes and pipe arches with a diameter or span of 84" or greater.
3. See Standard Drawing E 715-PAHB-01 for hook bolt details.
4. Riprap shall be placed at the ends of pipe structures when shown on the plans.



#6 REINFORCING BAR STRAP DETAILS



3/8" AIRCRAFT CABLE STRAP DETAILS

INDIANA DEPARTMENT OF TRANSPORTATION	
PIPE ANCHOR STRAP DETAILS	
JANUARY 1998	
STANDARD DRAWING NO. E 715-PASD-01	
	DETAILS PLACED IN THIS FORMAT 7-27-99 /s/ Anthony L. Uremovich 7-27-99 DESIGN STANDARDS ENGINEER DATE
DESIGN STANDARDS ENGINEER	/s/ Firooz Zandi 7-27-99 CHIEF HIGHWAY ENGINEER DATE ORIGINALLY APPROVED 1-02-98