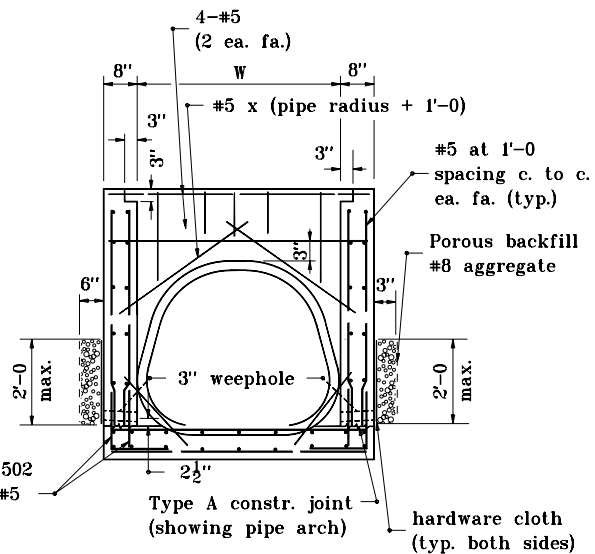


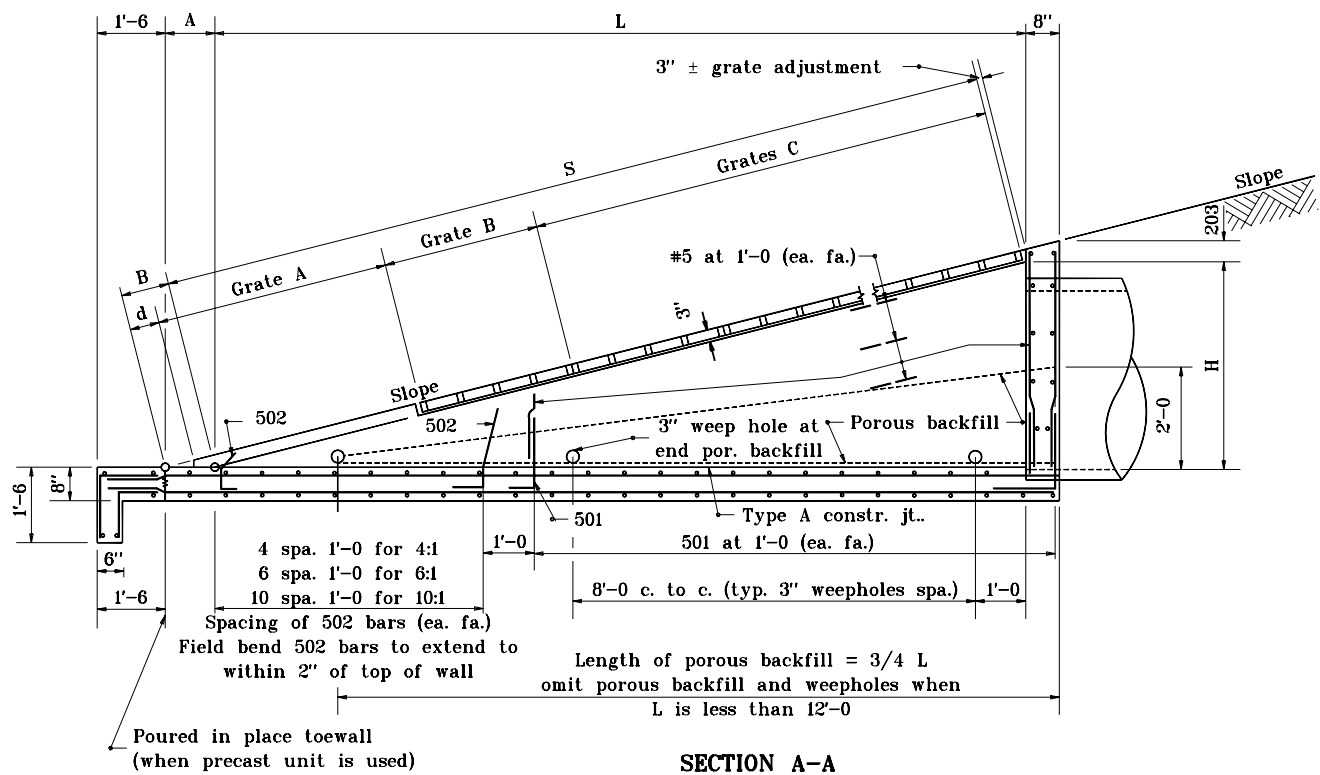
**PLAN VIEW**



**GRATE REMOVED SECTION B-B**

**GENERAL NOTES**

1. The invert grade of the grated box end section shall be the same as that of the pipe.
2. See Standard Drawings E 715-GBTT-05 and -06 for dimensions tables.
3. See Standard Drawing E 715-GBTT-02 for bending diagrams.
4. Type II grated box end sections shall be used for culverts parallel to the mainline within the clear zone.



**SECTION A-A**

INDIANA DEPARTMENT OF TRANSPORTATION	
<b>GRATED BOX END SECTION TYPE II</b>	
JANUARY 1999	
<b>STANDARD DRAWING NO. E 715-GBTT-03</b>	
DETAILS PLACED IN THIS FORMAT 11-15-99	
	/s/ Anthony L. Uremovich 11-15-99 DESIGN STANDARDS ENGINEER DATE
	/s/ Firooz Zandi 11-15-99 CHIEF HIGHWAY ENGINEER DATE
DESIGN STANDARDS ENGINEER	ORIGINALLY APPROVED 1-04-99