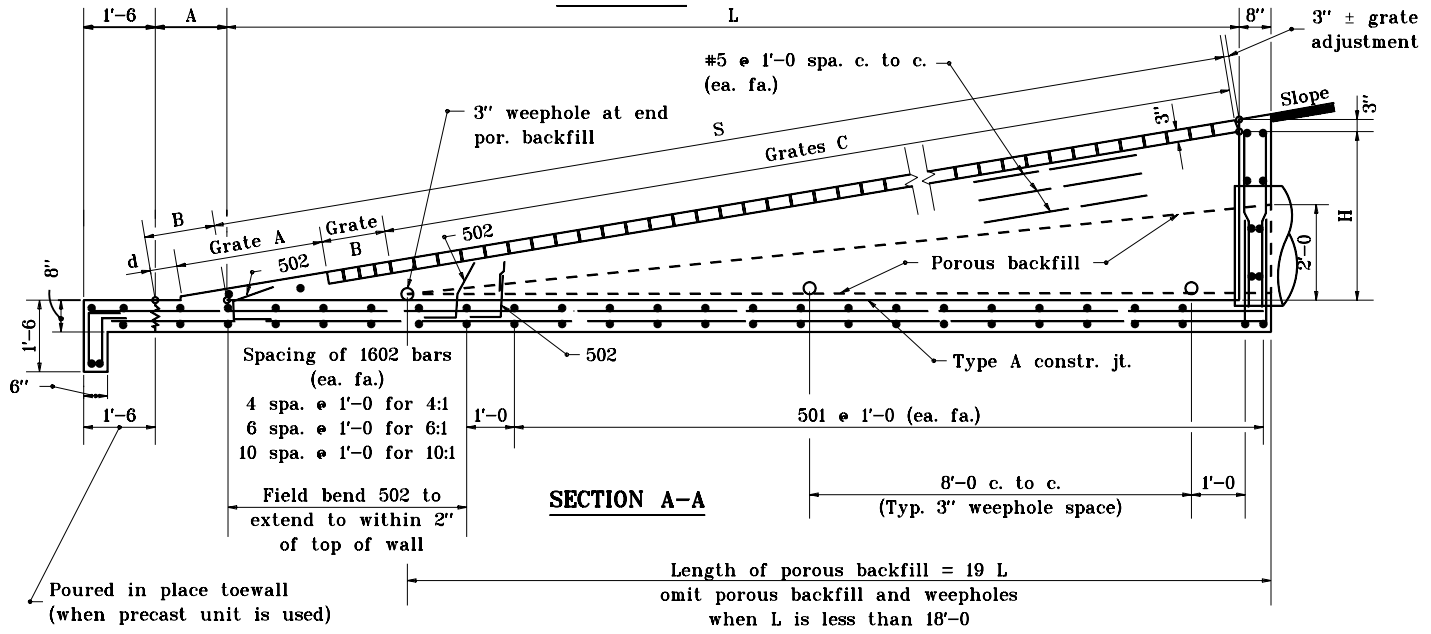
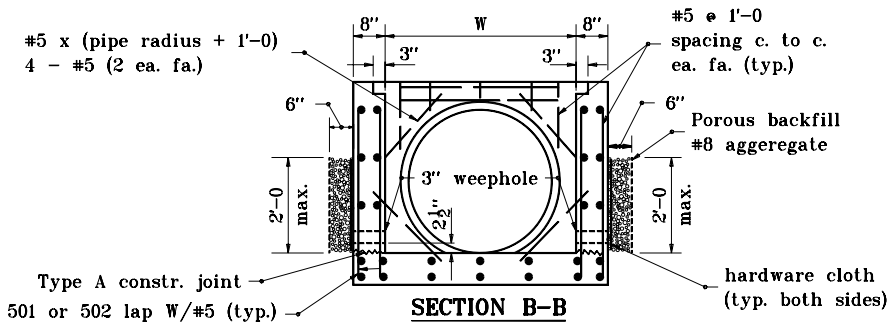


PLAN VIEW



SECTION A-A



SECTION B-B

GENERAL NOTES

1. The invert grade of the grated box end section shall be the same as that of the pipe.
2. See Standard Drawings E 715-GBTT-05 and -06 for dimensions tables.
3. Type II grated box end sections shall be used for culverts parallel to the mainline within the clear zone.
4. See Standard Drawing E 715-GBTT-02 for bending diagrams.

INDIANA DEPARTMENT OF TRANSPORTATION	
GRATED BOX END SECTION TYPE II	
JANUARY 1999	
STANDARD DRAWING NO. E 715-GBTT-01	
	DETAILS PLACED IN THIS FORMAT 11-15-99 /s/ Anthony L. Uremovich 11-15-99 DESIGN STANDARDS ENGINEER DATE
DESIGN STANDARDS ENGINEER	/s/ Firooz Zandi 11-15-99 CHIEF HIGHWAY ENGINEER DATE ORIGINALLY APPROVED 1-04-99