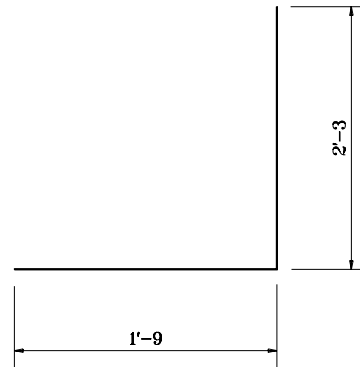
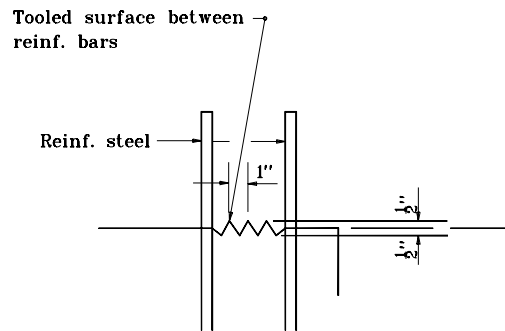


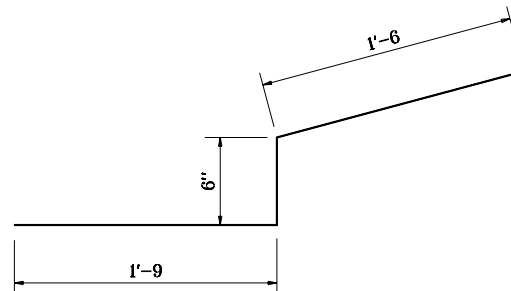
**OPTIONAL SHOP SPLICE**



**501 x 4'-0**



**TYPE A CONSTRUCTION JOINT**



**502 x 3'-9**

INDIANA DEPARTMENT OF TRANSPORTATION	
GRATED BOX END SECTION	
TYPE I	
JANUARY 1999	
STANDARD DRAWING NO. E 715-GBTO-02	
	DETAILS PLACED IN THIS FORMAT 7-27-99
	/s/ Anthony L. Uremovich 7-27-99 DESIGN STANDARDS ENGINEER DATE
	/s/ Firooz Zandi 7-27-99 CHIEF HIGHWAY ENGINEER DATE
DESIGN STANDARDS ENGINEER	ORIGINALLY APPROVED 1-04-99