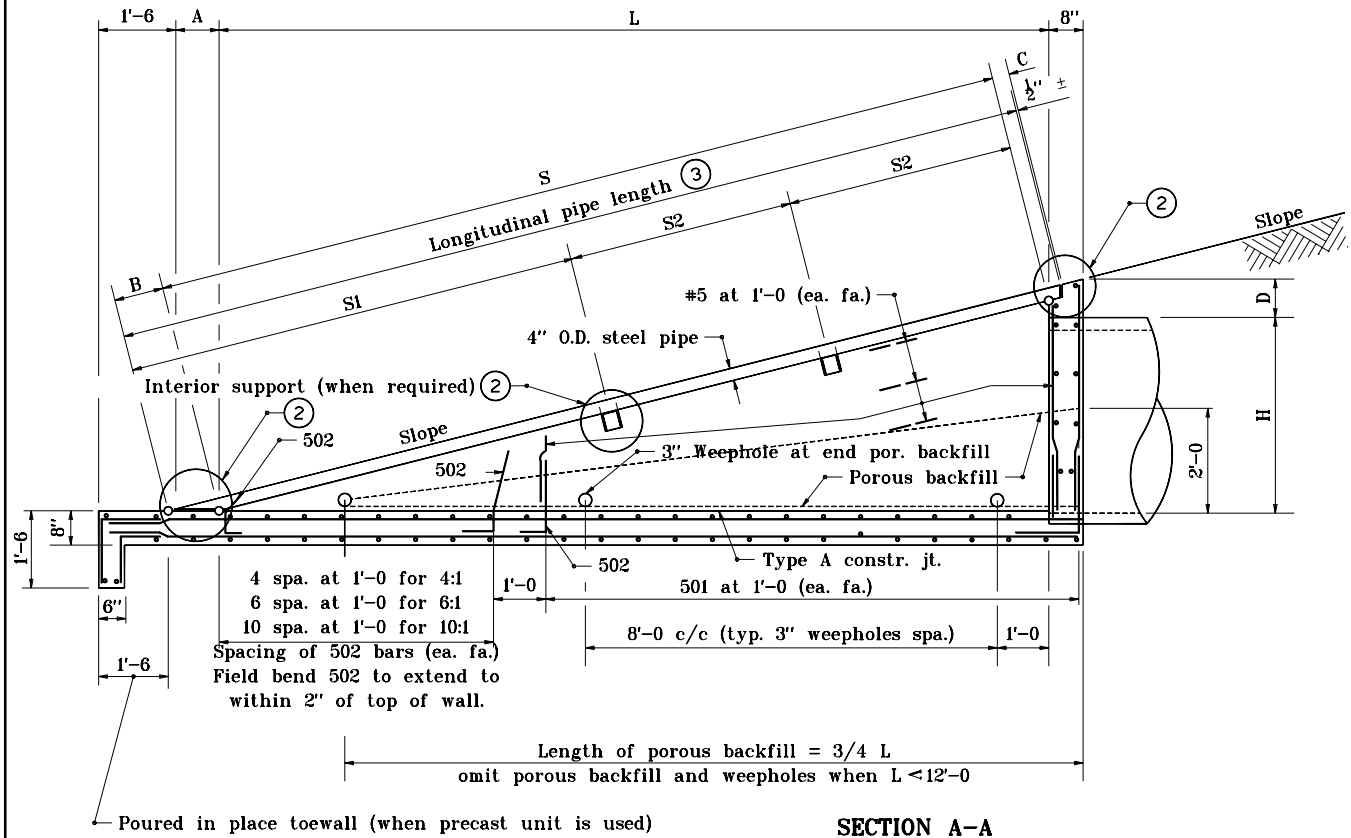


PLAN VIEW

GRATE REMOVED SECTION B-B

GENERAL NOTES

1. The invert grade of the grated box end section shall be the same as that of the pipe.
2. See Standard Drawing E 715-GBTO-04 for Details A, B, C, and D.
3. See Standard Drawings E 715-GBTO-05 through -08 for tables.
4. Type I grated box end section shall be used for mainline cross-culverts, outlet pipes within the clear zone.
5. See Standard Drawing E 715-GBTO-02 for bending diagrams.



SECTION A-A

INDIANA DEPARTMENT OF TRANSPORTATION	
GRATED BOX END SECTION	
TYPE I	
JANUARY 1999	
STANDARD DRAWING NO. E 715-GBTO-01	
DETAILS PLACED IN THIS FORMAT 11-15-99	
	/s/ Anthony L. Uremovich 11-15-99 DESIGN STANDARDS ENGINEER DATE
	/s/ Firooz Zandi 11-15-99 CHIEF HIGHWAY ENGINEER DATE
DESIGN STANDARDS ENGINEER	ORIGINALLY APPROVED 1-04-99

4 spa. at 1'-0 for 4:1
6 spa. at 1'-0 for 6:1
10 spa. at 1'-0 for 10:1
Spacing of 502 bars (ea. fa.)
Field bend 502 to extend to within 2" of top of wall.

Length of porous backfill = 3/4 L
omit porous backfill and weepholes when L < 12'-0

Poured in place toewall (when precast unit is used)