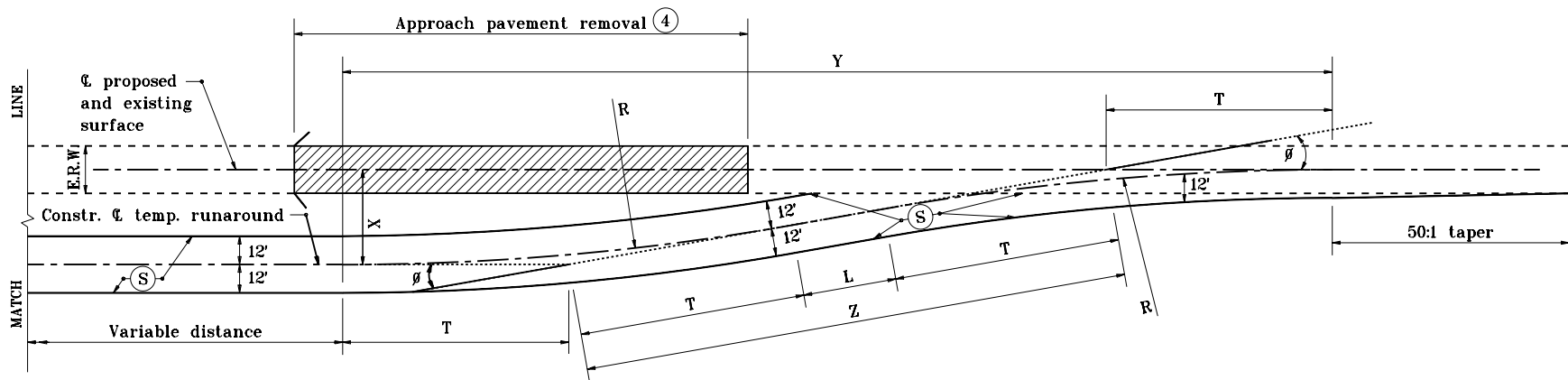
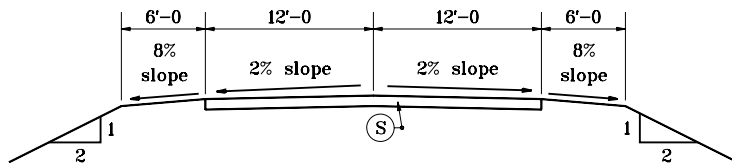


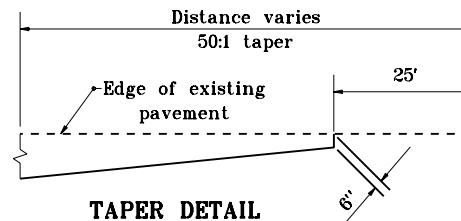
TEMPORARY RUNAROUND



TEMPORARY RUNAROUND



TYPICAL RUNAROUND SECTION



TAPER DETAIL

General Notes:

1. For notes that apply to this sheet, see Standard Drawing E 713-TCTR-04.
2. See Standard Drawing E 713-TCTR-02 for runaround geometrics and surface quantities.
3. See Standard Drawing E 801-TCLG-01 for standard notes and legend.

| | |
|---|---|
| INDIANA DEPARTMENT OF TRANSPORTATION | |
| TEMPORARY RUNAROUND | |
| GEOMETRICS | |
| NOVEMBER 1995 | |
| STANDARD DRAWING NO. E 713-TCTR-01 | |
| | DETAILS PLACED IN THIS FORMAT 11-15-99 /s/ Anthony L. Uremovich 11-15-99 DESIGN STANDARDS ENGINEER DATE |
| DESIGN STANDARDS ENGINEER | /s/ Firooz Zandi 11-15-99 CHIEF HIGHWAY ENGINEER DATE ORIGINALLY APPROVED 11-01-95 |