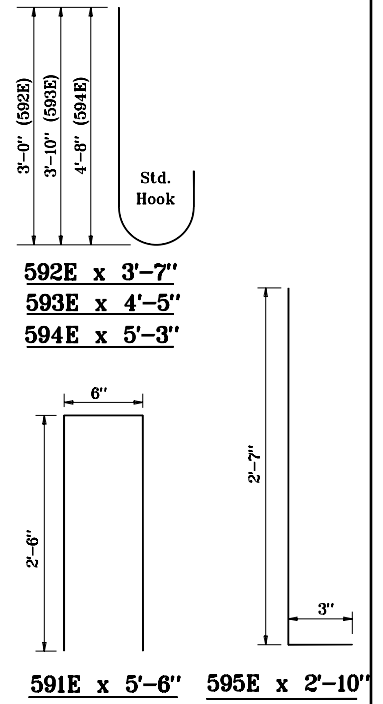
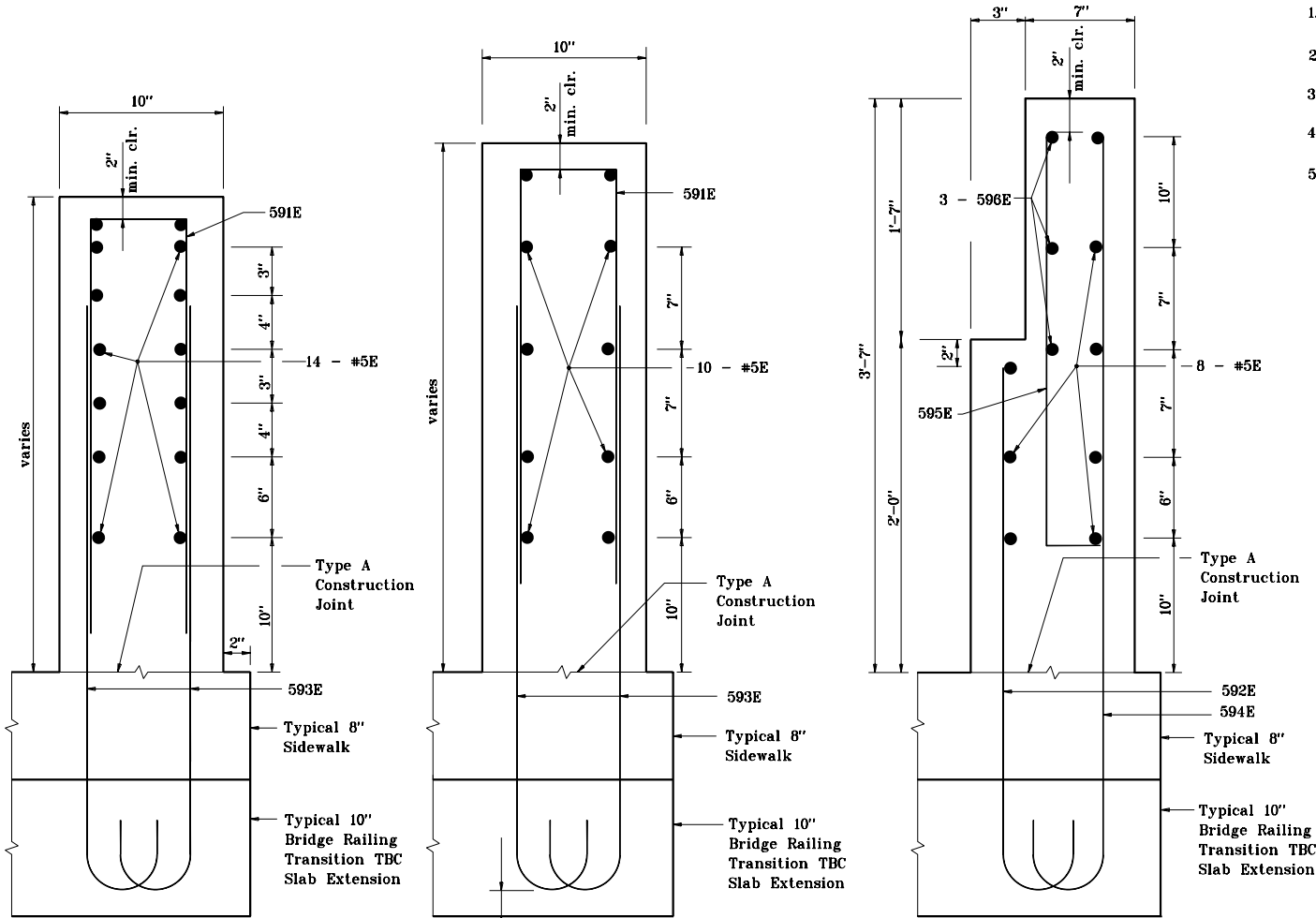


NOTES:

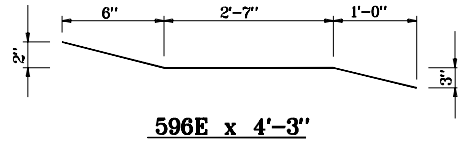
1. See Standard Drawing E 703-BRST-01 for standard 180° bar bending detail.
2. All reinforcing bars designated "E" shall be epoxy coated.
3. Concrete in bridge railing transition to be class C.
4. See Standard Drawing E 706-CBRT-02 for attachment of guardrail Type TGB.
5. See Standard Drawing E 706-TASE-01, 02 & 05 for Bridge Railing Transition TBC slab extension.



Section A - A

Section B - B

Section C - C



596E x 4'-3"

INDIANA DEPARTMENT OF TRANSPORTATION	
CONCRETE BRIDGE RAILING TRANSITION, TPS-1	
MAY 2000	
STANDARD DRAWING NO. E 706-TTBP-06	
	/s/ Anthony L. Uremovich 5-01-00 DESIGN STANDARDS ENGINEER DATE
	/s/ Firooz Zandi 5-01-00 CHIEF HIGHWAY ENGINEER DATE
DESIGN STANDARDS ENGINEER	