

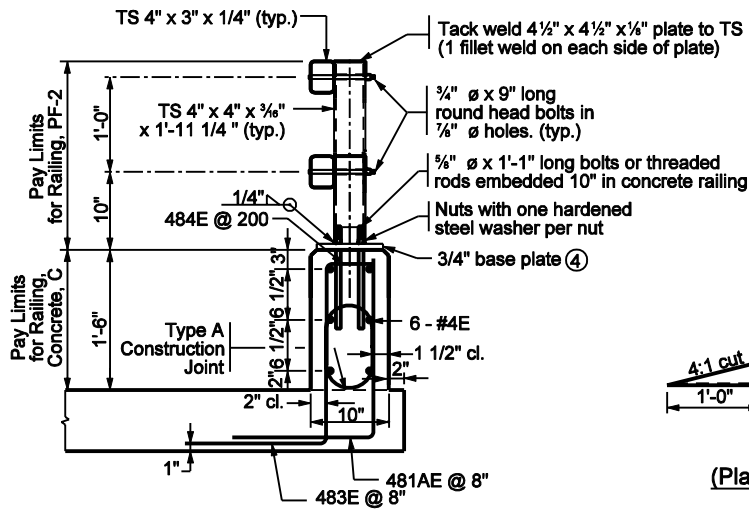
8 - 3/4" ϕ x 1'-0" long round head bolts in 7/8" ϕ holes. (4 ea. rail) Holes are to be slotted as required for expansion.

* NOTE: Field measure distance to holes on concrete transition.

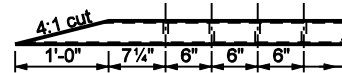
ELEVATION

NOTES :

1. All chamfered edges shall be 1".
2. Intermediate railing splices shall be placed every 20 ft with center of connection at span quarter points.
3. See Standard Drawing E 706-BRPP-05 for Railing Tube Details and Inner Sleeve Details.
- ④ See Standard Drawing E 706-BRPP-06 for Base Plate Detail and reinforcing steel bar bends.
5. See Standard Drawing E 706-TTBP-03 and E 706-TTBP-04 for Concrete Bridge Railing Transition, TPF-2
6. See Standard Drawing E 703-BRST-01 for Standard 180° bar bending detail.
7. All reinforcing bars designated "E" shall be epoxy coated.



TYPICAL SECTION



**DETAIL A
(Plan view of both rails)**

INDIANA DEPARTMENT OF TRANSPORTATION	
RAILING, PF-2	
SEPTEMBER 2002	
STANDARD DRAWING NO. E 706-BRPP-02	
	/s/ Richard L. VanCleave 9-03-02 DESIGN STANDARDS ENGINEER DATE
	/s/ Richard K. Smutzer 9-03-02 CHIEF HIGHWAY ENGINEER DATE
DESIGN STANDARDS ENGINEER	