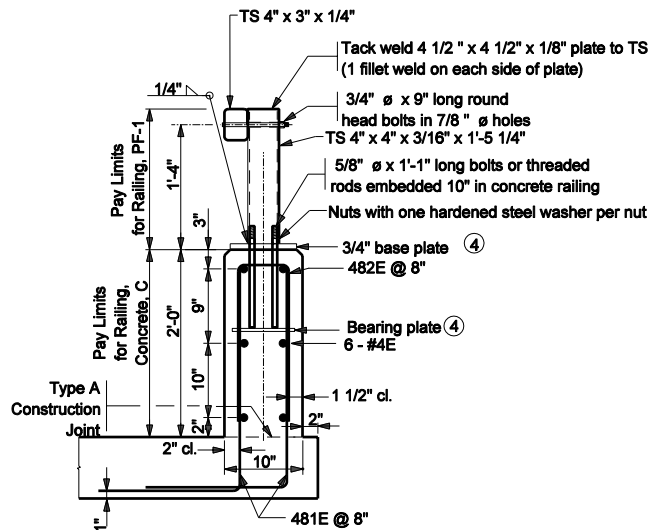


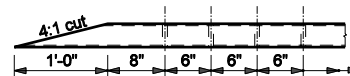
ELEVATION

NOTES :

1. All chamfered edges shall be 1".
2. Intermediate railing splices shall be placed every 20 ft. with center of connection at span quarter points.
- ③ See Standard Drawing E 706-BRPP-05 for Railing Tube Details and Inner Sleeve Details.
- ④ See Standard Drawing E 706-BRPP-06 for Base Plate Detail, Bearing Plate Detail, and reinforcing steel bar bends.
5. See Standard Drawings E 706-TTBP-01 and E 706-TTBP-02 for Concrete Bridge Railing Transition, TPF-1
6. See Standard Drawing E 703-BRST-01 for Standard 180° bar bending detail.
7. All reinforcing bars designated "E" shall be epoxy coated.



TYPICAL SECTION



DETAIL A  
(Plan View of top rail)

INDIANA DEPARTMENT OF TRANSPORTATION	
RAILING, PF-1	
MARCH 2005	
STANDARD DRAWING NO. E 706-BRPP-01	
	/s/ Richard L. VanCleave 3-01-05 DESIGN STANDARDS ENGINEER DATE
	/s/ Richard K. Smutzer 3-01-05 CHIEF HIGHWAY ENGINEER DATE
DESIGN STANDARDS ENGINEER	