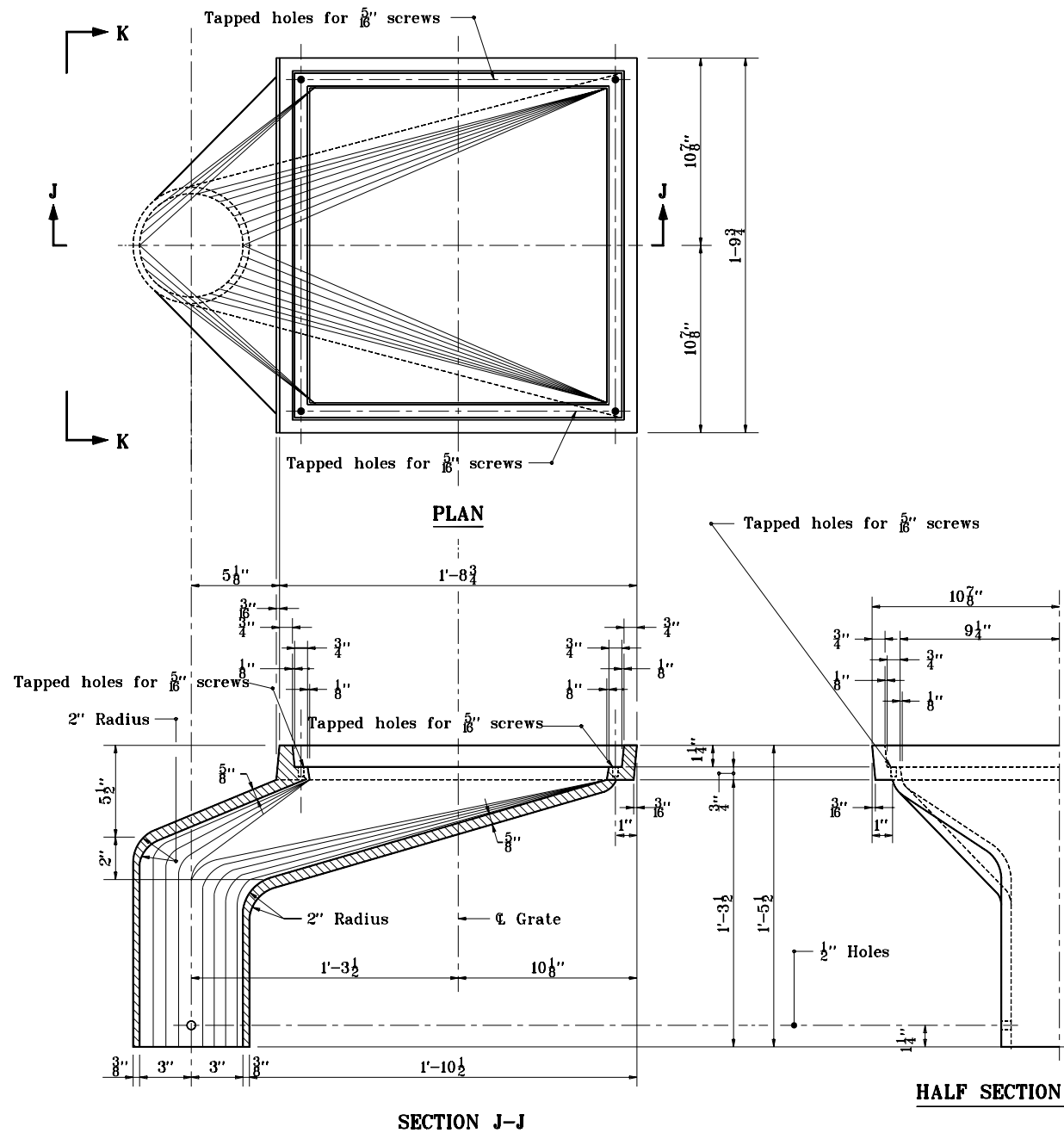


GENERAL NOTES

1. For attaching pipe to all drains, use $\frac{3}{8}$ " ϕ x $1\frac{1}{2}$ " hex bolts with $2-\frac{3}{8}$ " lock washers and $2-\frac{3}{8}$ " nuts. (All parts galvanized)
2. The approximate weight of the drain is 242 lb.



INDIANA DEPARTMENT OF TRANSPORTATION	
CASTING DETAILS	
ROADWAY DRAIN TYPE OS	
SEPTEMBER 1994	
STANDARD DRAWING NO. E 704-BDCG-03	
DETAILS PLACED IN THIS FORMAT 11-15-99	
	/s/ Anthony L. Uremovich 11-15-99 DESIGN STANDARDS ENGINEER DATE
	/s/ Firooz Zandi 11-15-99 CHIEF HIGHWAY ENGINEER DATE
DESIGN STANDARDS ENGINEER	ORIGINALLY APPROVED 9-03-94