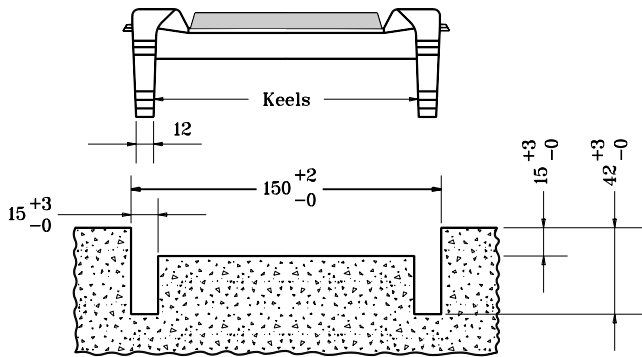


Existing Pavement Bituminous
or Concrete

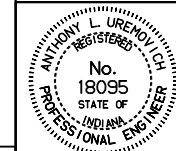


CAST METAL BASE

All dimensions are in mm unless otherwise specified.

INDIANA DEPARTMENT OF TRANSPORTATION
RAISED PAVEMENT MARKERS
CAST METAL BASE
MARCH 1995

STANDARD DRAWING NO. **808-MKRM-10**



/s/ Anthony L. Uremovich 3-01-95
DESIGN STANDARDS ENGINEER DATE

/s/ Donald W. Lucas 3-01-95
CHIEF HIGHWAY ENGINEER DATE

Source Sheet: **MT19**

DESIGN STANDARDS ENGINEER