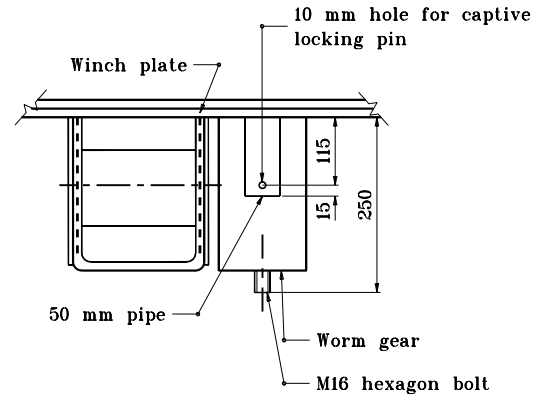
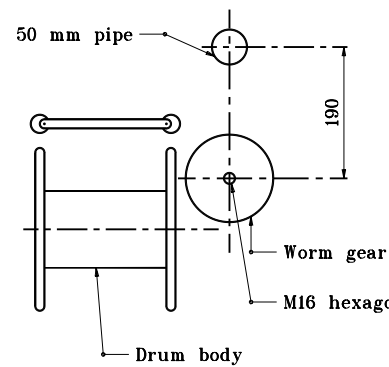


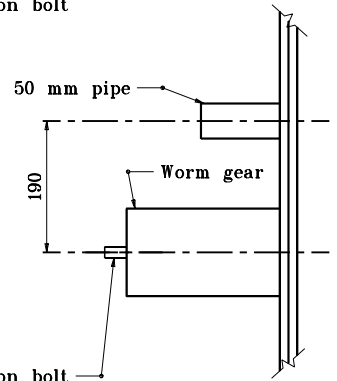
**BOTTOM LATCH**



**TOP VIEW**



**FRONT VIEW**



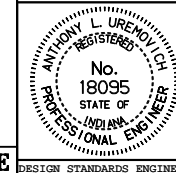
**SIDE VIEW**

**WINCH ASSEMBLY**

All dimensions are in mm unless otherwise specified.

INDIANA DEPARTMENT OF TRANSPORTATION  
**HIGHWAY ILLUMINATION TOWER**  
**DETAILS - BOTTOM LATCH**  
 MARCH 1995

STANDARD DRAWING NO. **807-LTHI-03**



/s/ Anthony L. Uremovich 3-01-95  
 DESIGN STANDARDS ENGINEER DATE

/s/ Donald W. Lucas 3-01-95  
 CHIEF HIGHWAY ENGINEER DATE

Source Sheet: **NONE**