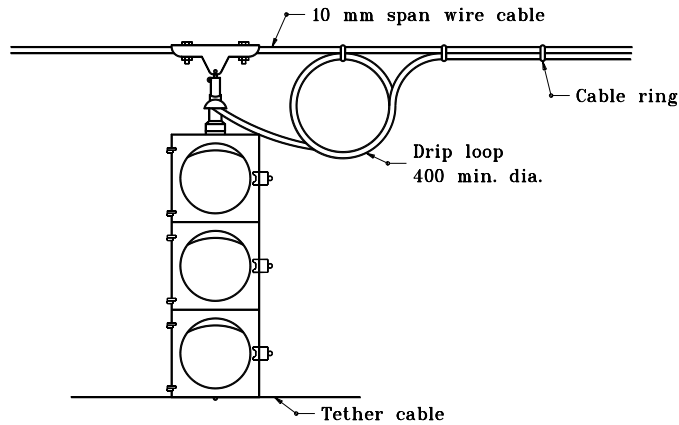
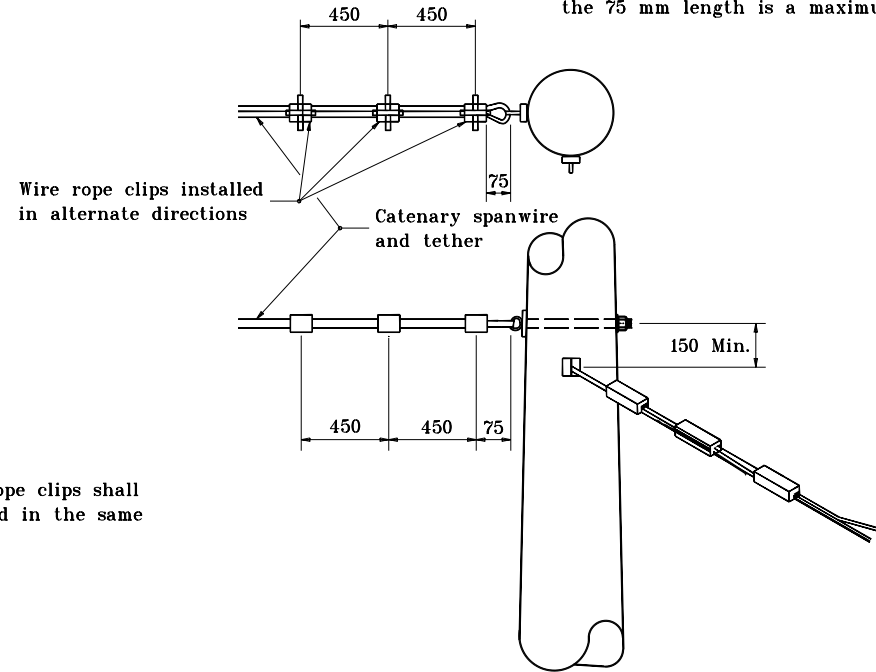


## GENERAL NOTES

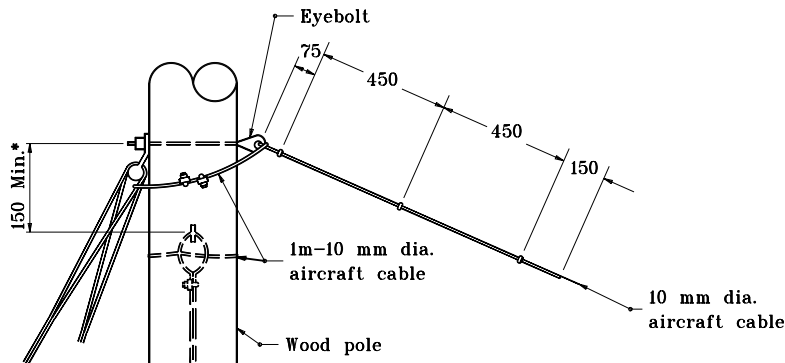
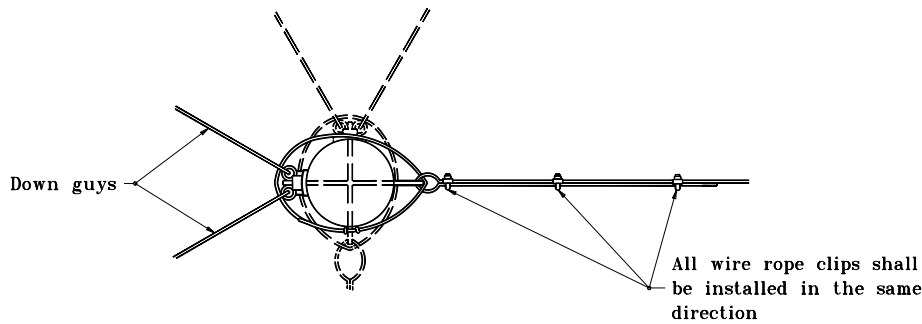
1. Installation is the same for steel strain poles except pole bands will be used.
2. Aircraft cable shall use a heavy closed wire rope thimble at contact with pole bands.
3. The distances shown are lengths with the exception of the distance between the eye bolt and the first clamp. In this instance the 75 mm length is a maximum.



**SPAN-HEAD ATTACHMENT**



**EYE BOLT INSTALLATION**



**SAFETY CABLE DETAIL**

\* If more than one catenary is attached to pole

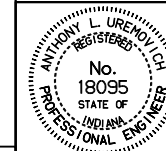
All dimensions are in mm unless otherwise specified.

INDIANA DEPARTMENT OF TRANSPORTATION

**CABLE SPAN ATTACHMENT**

JUNE 1996

STANDARD DRAWING NO. **805-SGSC-03**



/s/ Anthony L. Uremovich 6-03-96  
DESIGN STANDARDS ENGINEER DATE

/s/ Donald W. Lucas 6-03-96  
CHIEF HIGHWAY ENGINEER DATE

Source Sheet: NONE

DESIGN STANDARDS ENGINEER