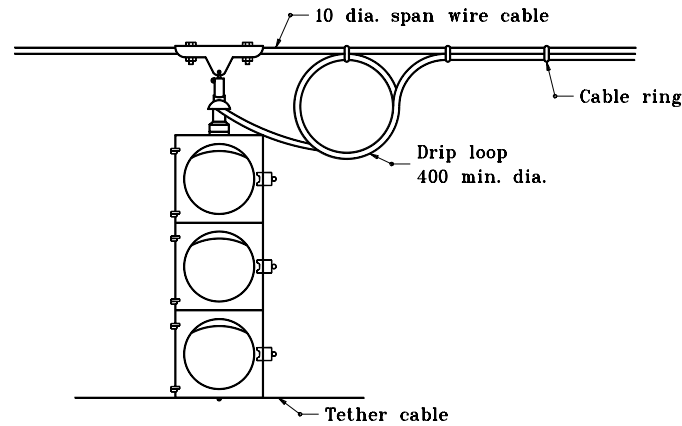
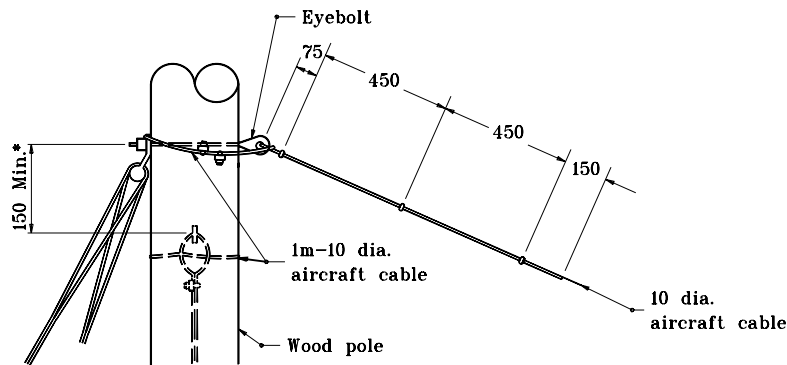
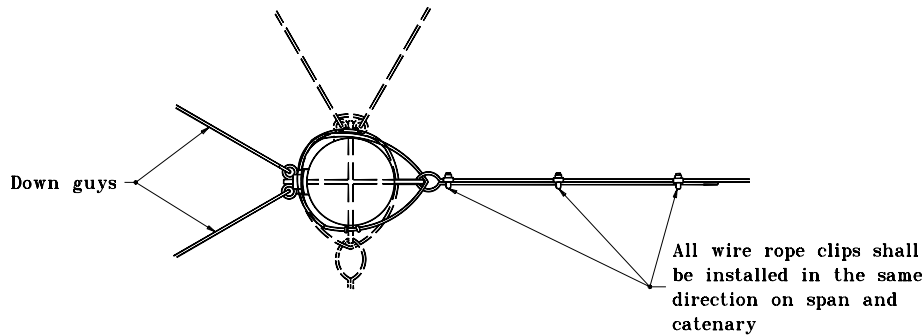


GENERAL NOTES

1. Installation is the same for steel strain poles except pole bands will be used.
2. Aircraft cable shall use a heavy closed wire rope thimble at contact with pole bands.



SPAN-HEAD ATTACHMENT



SAFETY CABLE AND EYE BOLT DETAIL

* If more than one catenary is attached to pole

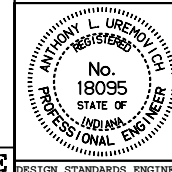
All dimensions are in mm unless otherwise specified.

INDIANA DEPARTMENT OF TRANSPORTATION

CABLE SPAN ATTACHMENT

SEPTEMBER 1998

STANDARD DRAWING NO. 805-SGSC-03



DESIGN STANDARDS ENGINEER DATE

CHIEF HIGHWAY ENGINEER DATE

Source Sheet: NONE

DESIGN STANDARDS ENGINEER