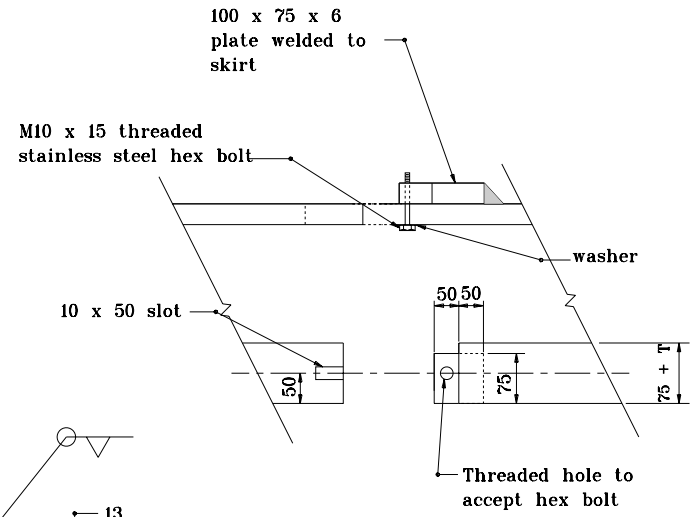
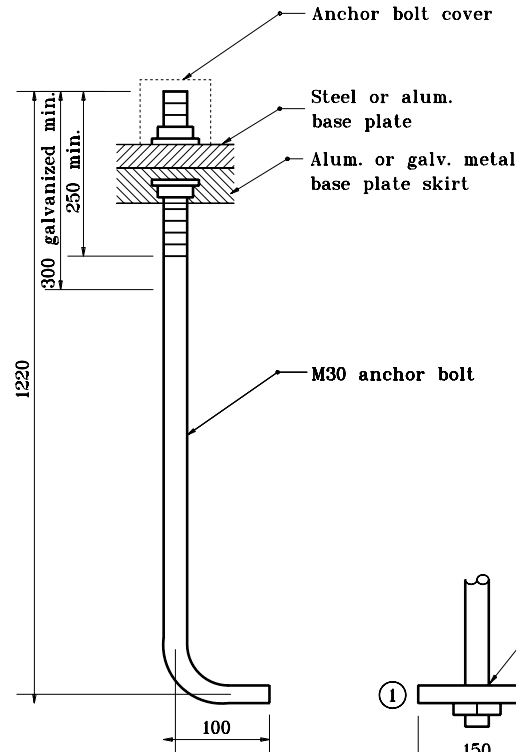


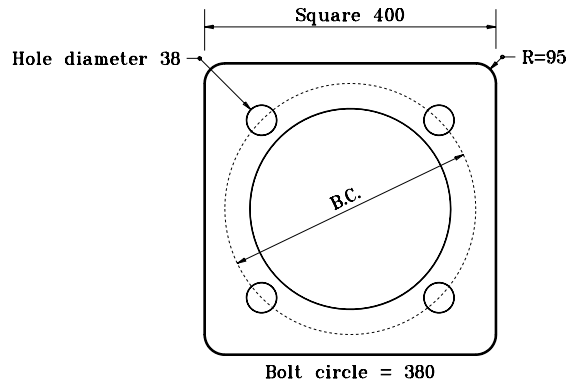
**GENERAL NOTES**

① Alternate 150 x 150 x 13 sq. washer with hex nut welded to lower end.

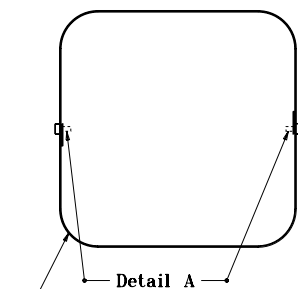


T = Thickness of anchor base

**DETAIL A**



**STEEL BASE PLATE DETAIL**



3 thick galv. metal plate

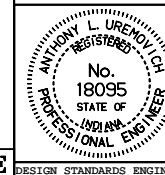
**METAL COVER DETAIL**

**DETAIL D**

All dimensions are in mm unless otherwise specified.

INDIANA DEPARTMENT OF TRANSPORTATION  
**SIGNAL CANTILEVER ANCHOR BOLTS, PLATES, AND COVERS**  
 SEPTEMBER 1998

STANDARD DRAWING NO. 805-SGMA-05



/s/ Anthony L. Uremovich 9-01-98  
 DESIGN STANDARDS ENGINEER DATE

/s/ Donald W. Lucas 9-01-98  
 CHIEF HIGHWAY ENGINEER DATE

Source Sheet: NONE