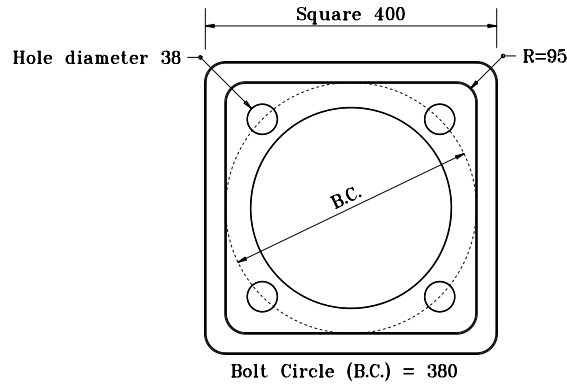
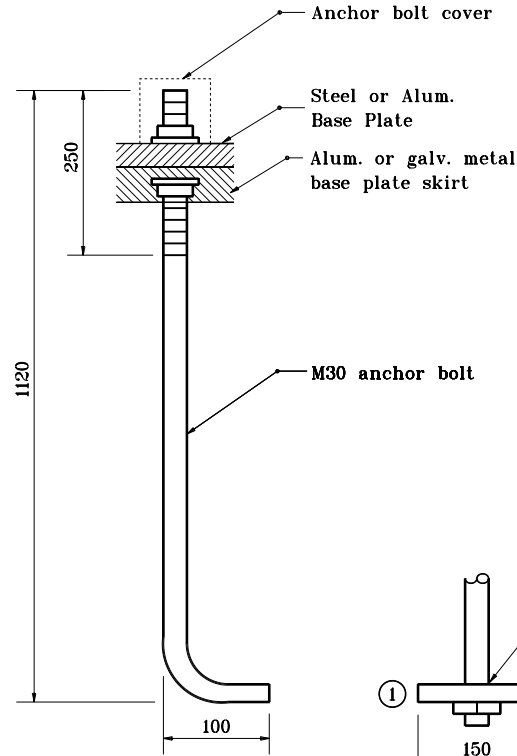


**GENERAL NOTES**

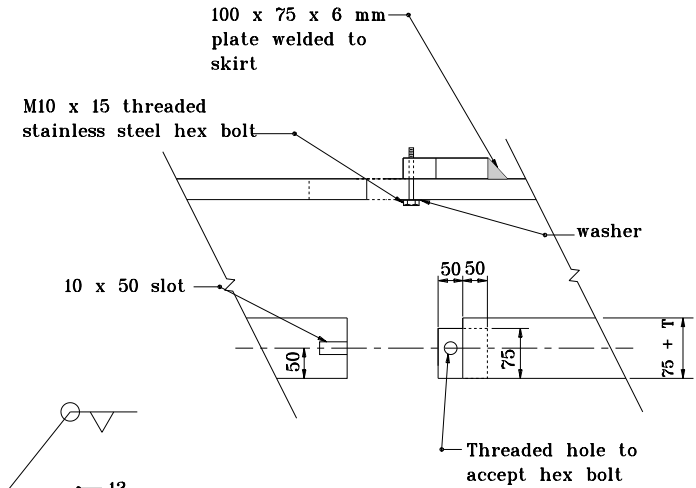
- ① Alternate 150 x 150 x 13 sq. washer with hex nut welded to lower end.



**STEEL BASE PLATE DETAIL**

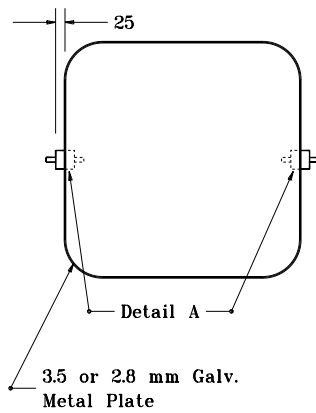


**DETAIL D**



T = Thickness of anchor base

**DETAIL A**



**METAL COVER DETAIL**

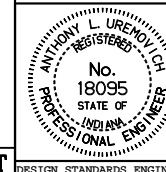
All dimensions are in mm unless otherwise specified.

INDIANA DEPARTMENT OF TRANSPORTATION

**SIGNAL CANTILEVER DETAILS**

JUNE 1996

STANDARD DRAWING NO. 805-SGMA-05



/s/ Anthony L. Uremovich 6-03-96  
DESIGN STANDARDS ENGINEER DATE

/s/ Donald W. Lucas 6-03-96  
CHIEF HIGHWAY ENGINEER DATE

Source Sheet:

MT

DESIGN STANDARDS ENGINEER