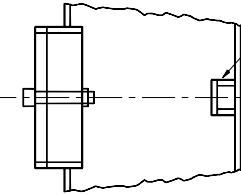
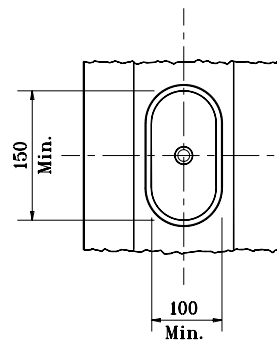


NOTE: Slot inside face of arm for galvanized drainage (steel structures only)

(Connection clamp)

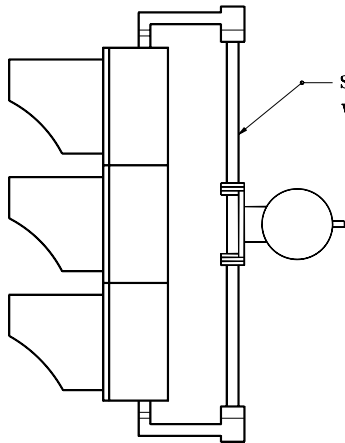
**DETAIL A**



M12 nut for grounding lug

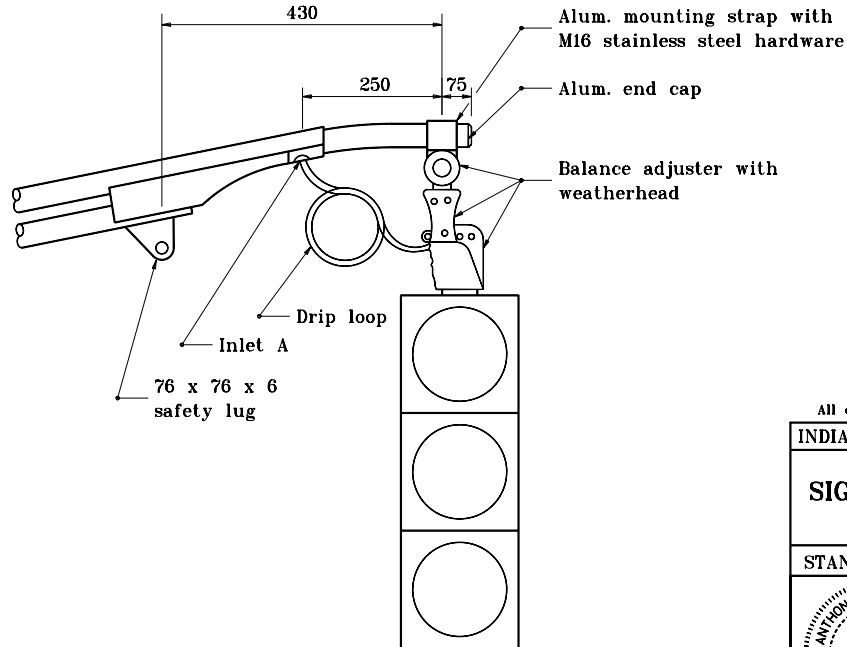
NOTE: For combination signal luminaire pole, handhole shall be 200 min. x 150 min. Inside dimensions  
(Handhole and grounding lug)

**DETAIL B**



(Signal Head Mounting Assembly - Typ.)

**DETAIL C**



**DETAIL D**

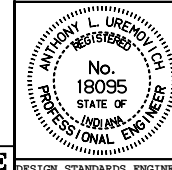
All dimensions are in mm unless otherwise specified.

INDIANA DEPARTMENT OF TRANSPORTATION

**SIGNAL CANTILEVER DETAILS**

MAY 1998

STANDARD DRAWING NO. 805-SGMA-04



/s/ Anthony L. Uremovich 5-01-98  
DESIGN STANDARDS ENGINEER DATE

/s/ Donald W. Lucas 5-01-98  
CHIEF HIGHWAY ENGINEER DATE

Source Sheet: NONE