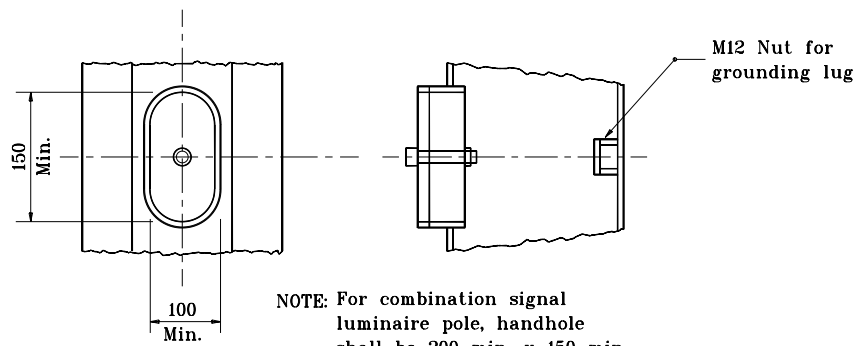


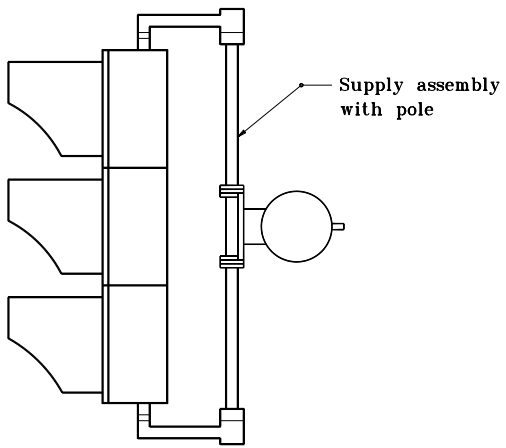
(Connection clamp)

**DETAIL A**



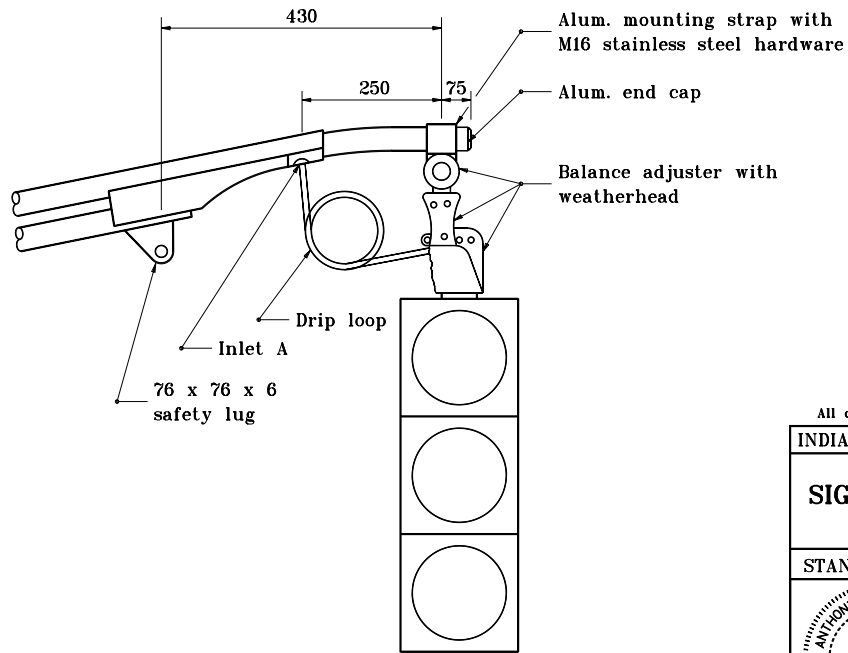
NOTE: For combination signal luminaire pole, handhole shall be 200 min. x 150 min. Inside dimensions  
(Handhole and grounding lug)

**DETAIL B**



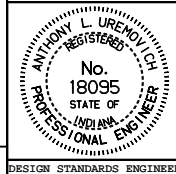
(Signal Head Mounting Assembly - Typ.)

**DETAIL C**



**DETAIL D**

All dimensions are in mm unless otherwise specified.  
INDIANA DEPARTMENT OF TRANSPORTATION  
**SIGNAL CANTILEVER DETAILS**  
JUNE 1996  
STANDARD DRAWING NO. 805-SGMA-04



/s/ Anthony L. Uremovich 6-03-96  
DESIGN STANDARDS ENGINEER DATE  
  
/s/ Donald W. Lucas 6-03-96  
CHIEF HIGHWAY ENGINEER DATE