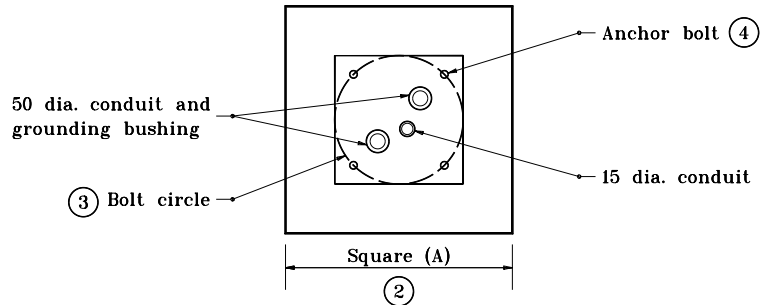


GENERAL NOTES

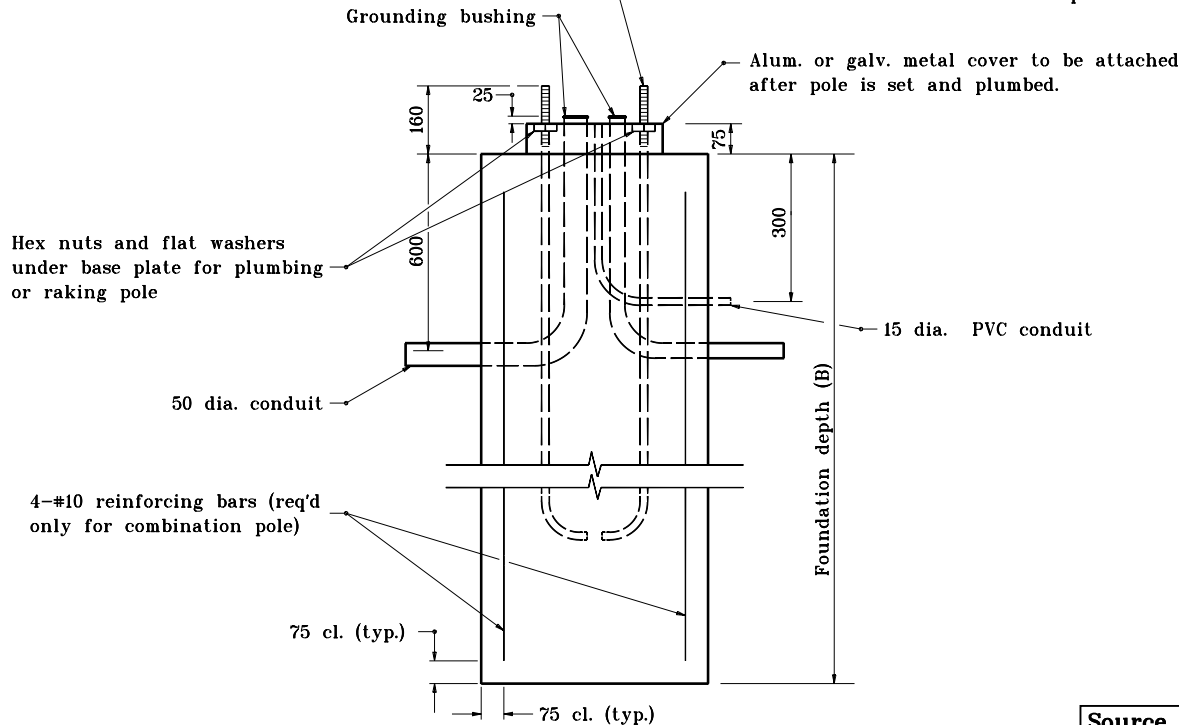
1. Top 150 of foundation may be squared.
- ② A round foundation may be supplied in lieu of square using the following equivalent (A) dimensions:
750 Square = 900 Round
900 Square = 1050 Round
- ③ See Base Plate Detail on Standard Drawing 805-SGMA-05.
- ④ See Standard Drawing 805-SGMA-05 for Detail D.



SIGNAL CANTILEVER FOUNDATION DIMENSIONS		
ARM LENGTH (L), m	SQUARE (A)	FDN. DEPTH (B)
3.6, 4.6, 6.1, 7.6	750	1850
9.1, 10.7, 12.2 All Twin Arms	900	2150
* Combination Pole (With Luminaire)	900	2150

* Requires 4-#10 x 2300 as shown on foundation detail.

Use paper mailing tube or tape to protect anchor bolt threads from concrete.



All dimensions are in mm unless otherwise specified.

INDIANA DEPARTMENT OF TRANSPORTATION	
SIGNAL CANTILEVER FOUNDATION DETAIL	
SEPTEMBER 1997	
STANDARD DRAWING NO. 805-SGMA-03	
	/s/ Anthony L. Uremovich 9-01-97 DESIGN STANDARDS ENGINEER DATE
	/s/ Donald W. Lucas 9-01-97 CHIEF HIGHWAY ENGINEER DATE

Source Sheet: NONE