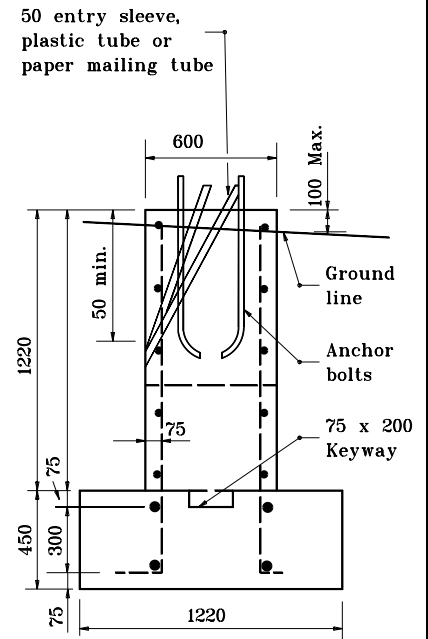
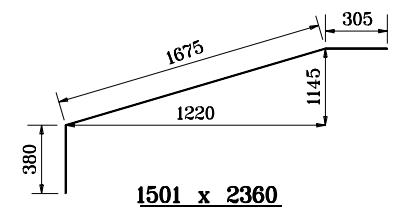


**SHOULDER INSTALLATION**

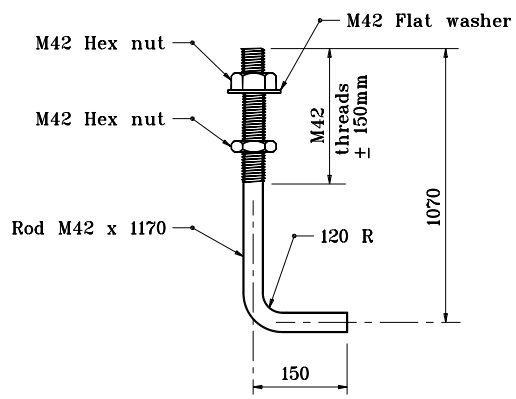


**SECTION A-A**



All dimensions are in mm unless otherwise specified.

**NOTE:**  
After threading, mechanically galvanize  
top 300 mm of anchor bolt.



**ANCHOR BOLT**

INDIANA DEPARTMENT OF TRANSPORTATION	
<b>BOX TRUSS SIGN STRUCTURE</b>	
<b>FOUNDATION DETAILS</b>	
SEPTEMBER 1997	
STANDARD DRAWING NO. <b>803-SNBF-01</b>	
	/s/ Anthony L. Uremovich 9-01-97 DESIGN STANDARDS ENGINEER DATE
	/s/ Donald W. Lucas 9-01-97 CHIEF HIGHWAY ENGINEER DATE

Source Sheet: NONE