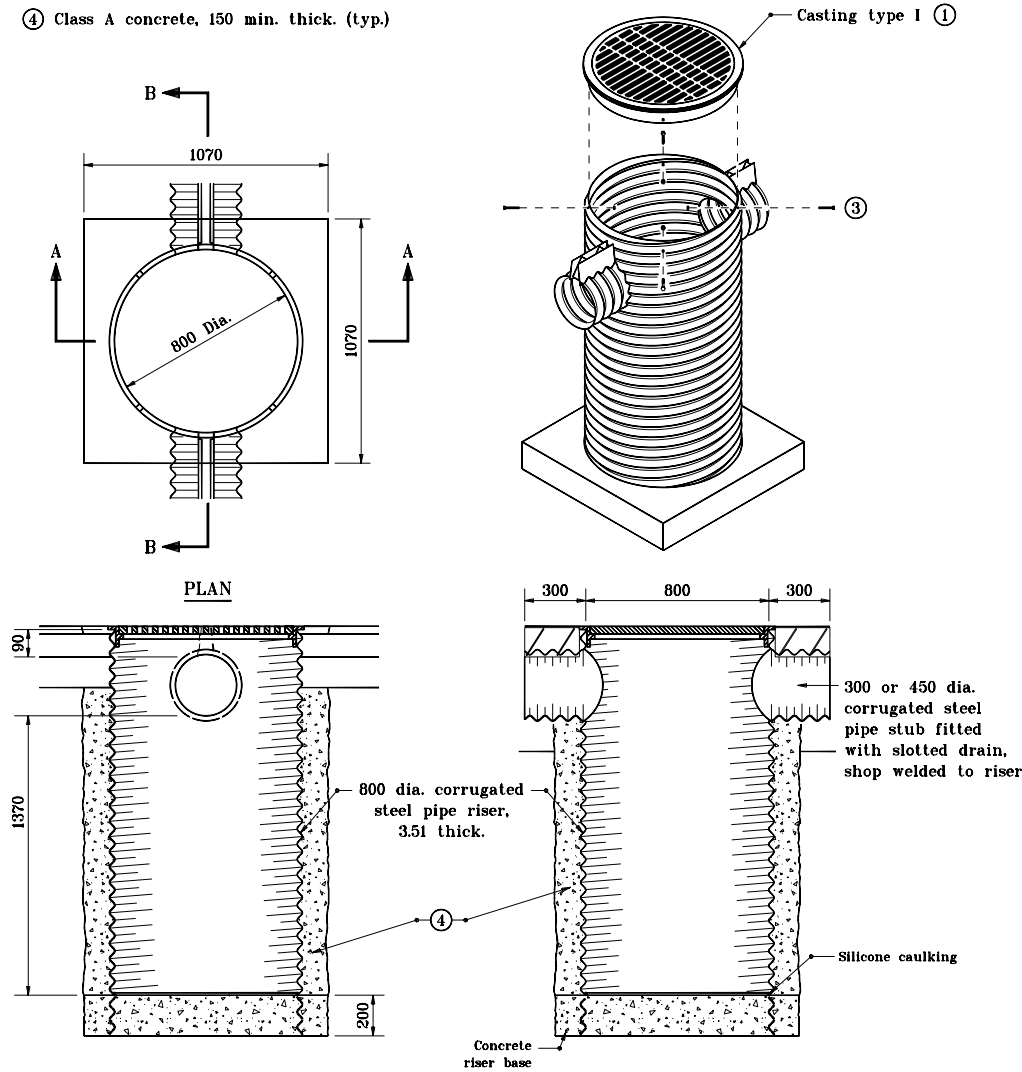
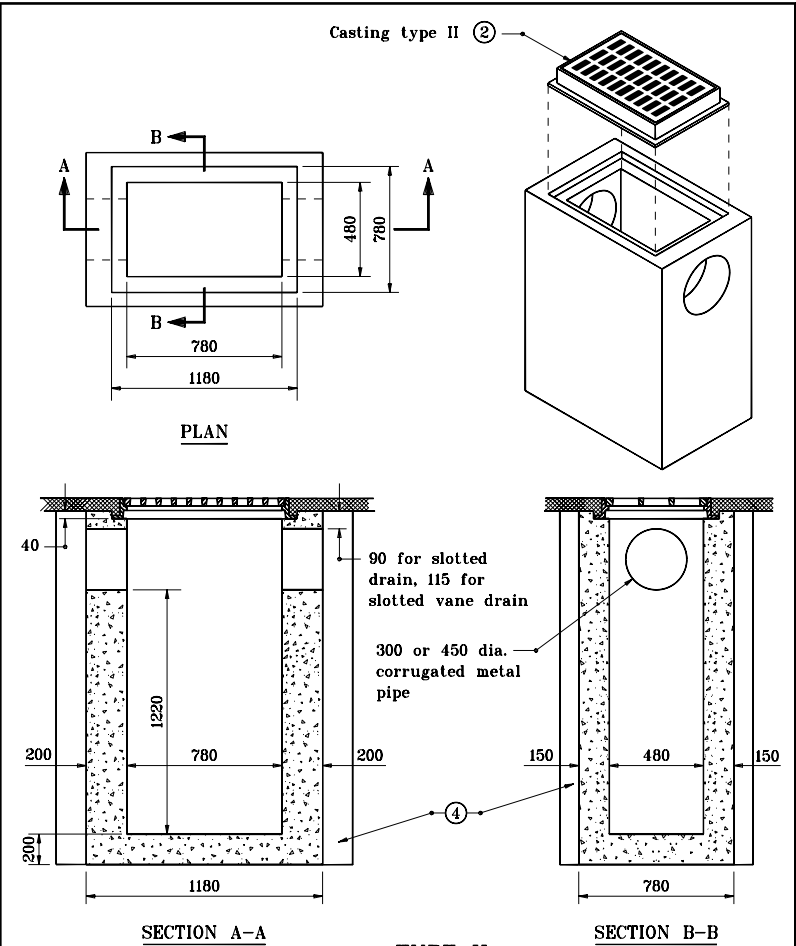


GENERAL NOTES

- ① See Standard Drawing 720-SDCP-02 for casting details.
- ② See Standard Drawing 720-SDCP-03 for casting details.
- ③ M10 X 40 stainless steel nonthreaded hex head bolt with locknut washer. (typ.)
- ④ Class A concrete, 150 min. thick. (typ.)
- 5. Cleanout ports shall be spaced at 75 m or as shown on plans.



**TYPE I
STEEL PIPE PORT**



**TYPE II
CONCRETE BOX PORT**

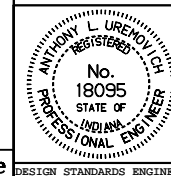
All dimensions are in mm unless otherwise specified.

INDIANA DEPARTMENT OF TRANSPORTATION

**SLOTTED DRAIN PIPE
CLEANOUT PORT**

MAY 1998

STANDARD DRAWING NO. 720-SDCP-01



/s/ Anthony L. Uremovich 5-01-98
DESIGN STANDARDS ENGINEER DATE

/s/ Donald W. Lucas 5-01-98
CHIEF HIGHWAY ENGINEER DATE

Source Sheet: None