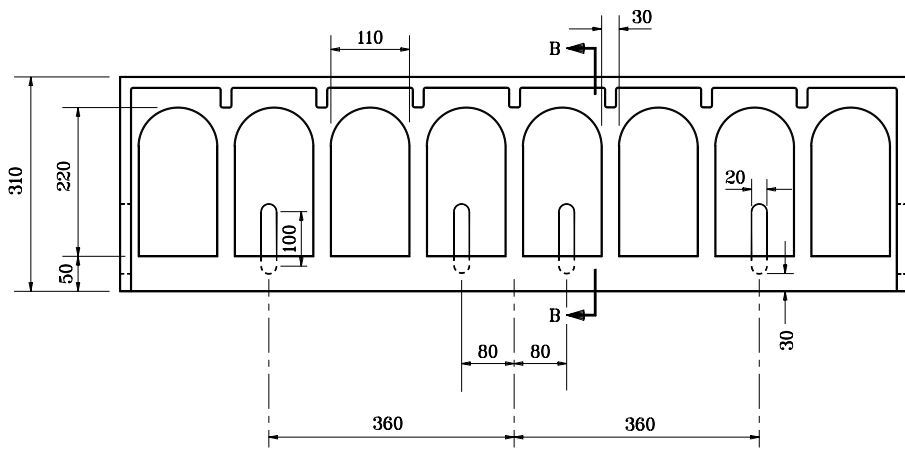
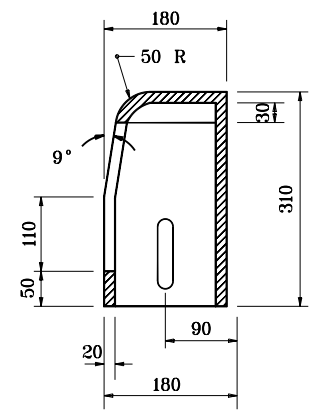


**TOP**



**FRONT**

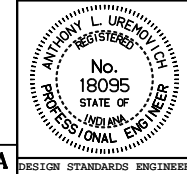


**SECTION B-B**

All dimensions are in mm unless otherwise specified.

INDIANA DEPARTMENT OF TRANSPORTATION  
**CASTING TYPE 15 CURB BOX**  
**ALTERNATE BOLTED FRAME**  
 APRIL 1995

STANDARD DRAWING NO. 720-ICCA-19



/s/ Anthony L. Uremovich 4-03-95  
 DESIGN STANDARDS ENGINEER DATE

/s/ Donald W. Lucas 4-03-95  
 CHIEF HIGHWAY ENGINEER DATE

Source Sheet: MC2A