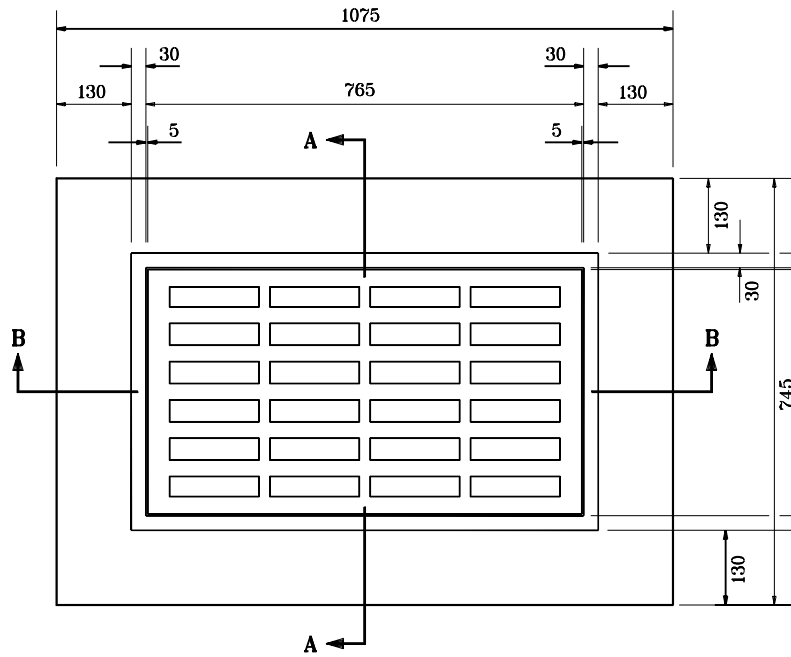
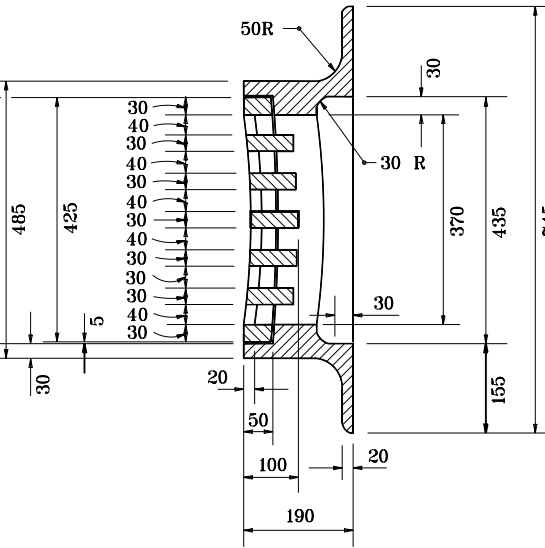


**GENERAL NOTES**

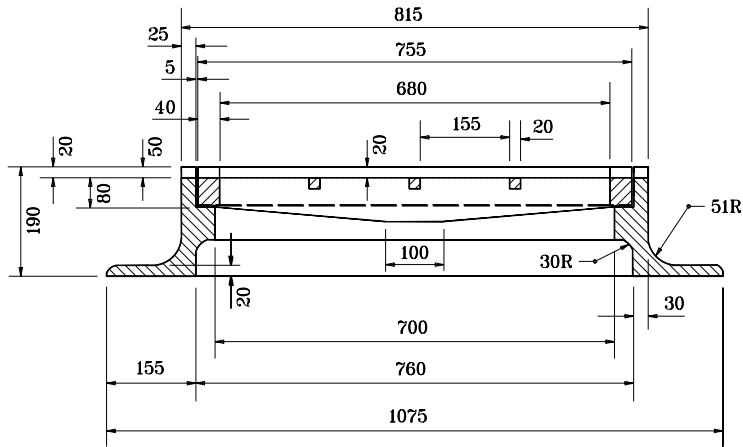
1. See Standard Drawing 720-ICCA-14 for grate details.



**PLAN**



**SECTION A-A**



**SECTION B-B**

All dimensions are in mm unless otherwise specified.

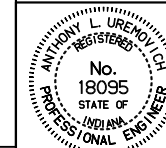
INDIANA DEPARTMENT OF TRANSPORTATION

**CASTING TYPE 13**

**FRAME**

APRIL 1995

STANDARD DRAWING NO. 720-ICCA-13



/s/ Anthony L. Uremovich 4-03-95  
DESIGN STANDARDS ENGINEER DATE

/s/ Donald W. Lucas 4-03-95  
CHIEF HIGHWAY ENGINEER DATE

Source Sheet: MCI

DESIGN STANDARDS ENGINEER