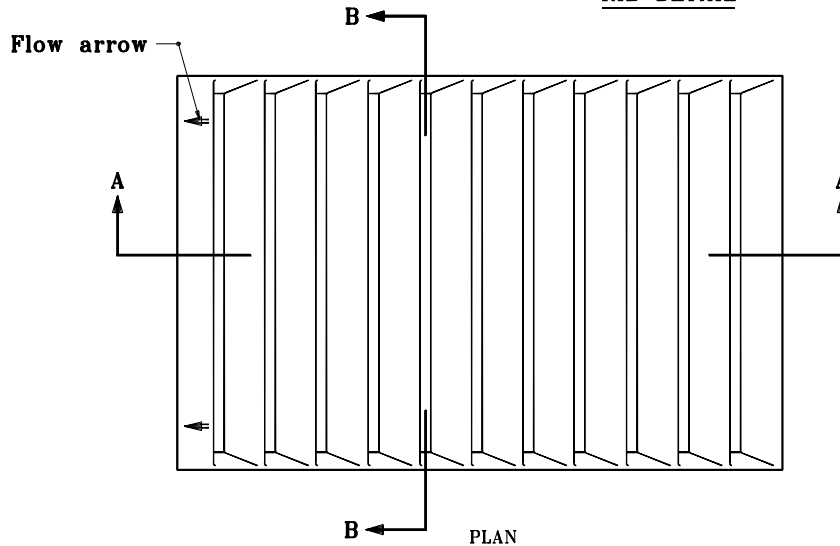
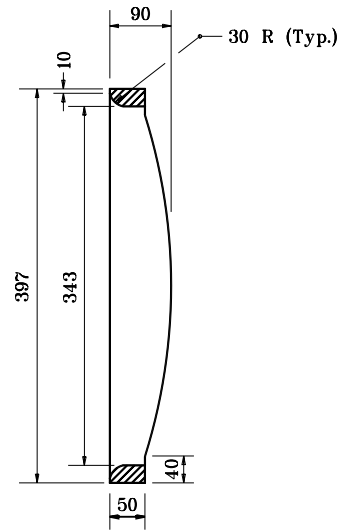


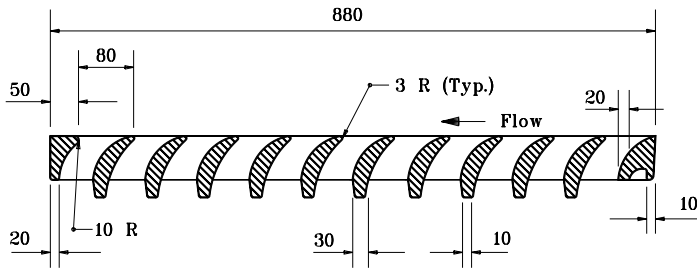
RIB DETAIL



PLAN



SECTION B-B



SECTION A-A

All dimensions are in mm unless otherwise specified.

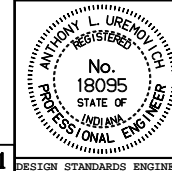
INDIANA DEPARTMENT OF TRANSPORTATION

CASTINGS TYPE 10 AND 11

GRATE

JANUARY 1997

STANDARD DRAWING NO. **720-ICCA-09**



/s/ Anthony L. Uremovich 1-02-97
DESIGN STANDARDS ENGINEER DATE

/s/ Donald W. Lucas 1-02-97
CHIEF HIGHWAY ENGINEER DATE

Source Sheet: **MCI**

DESIGN STANDARDS ENGINEER