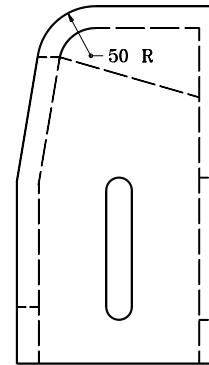
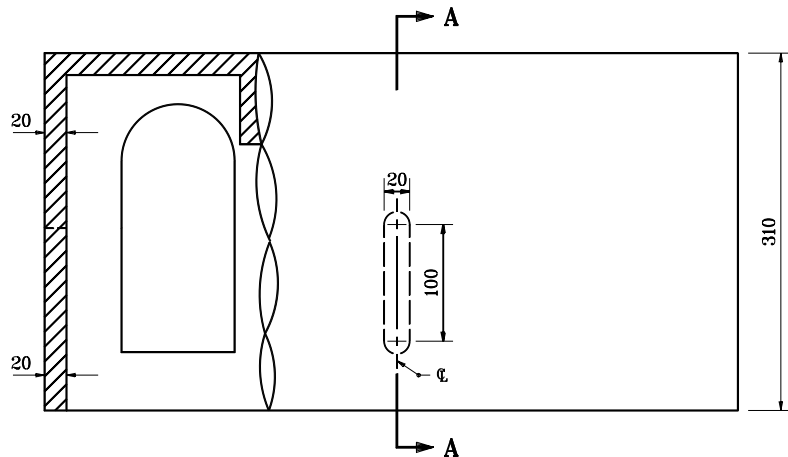


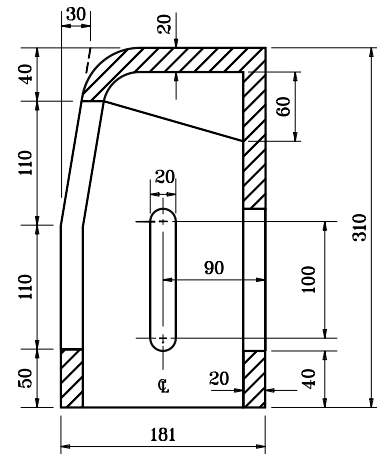
**FRONT**



**SIDE**



**BACK**



**SEC. A-A**

**CURB BOX FOR CASTING TYPE 8 OR 10**

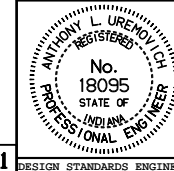
**GENERAL NOTES**

1. Grate free open area = 102580 mm<sup>2</sup>

All dimensions are in mm unless otherwise specified.

INDIANA DEPARTMENT OF TRANSPORTATION  
**CASTINGS TYPE 8 AND 10**  
**CURB BOX**  
 APRIL 1996

STANDARD DRAWING NO. 720-ICCA-06



/s/ Anthony L. Uremovich 4-01-96  
 DESIGN STANDARDS ENGINEER DATE

/s/ Donald W. Lucas 4-01-96  
 CHIEF HIGHWAY ENGINEER DATE

Source Sheet: MCI