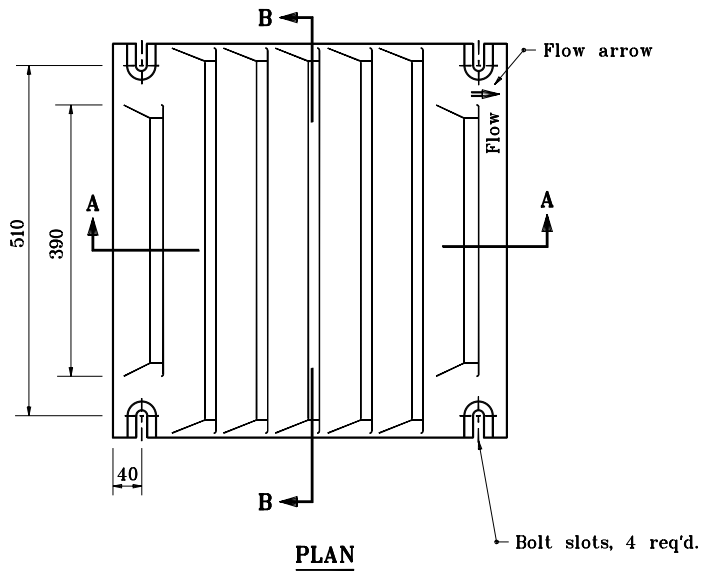
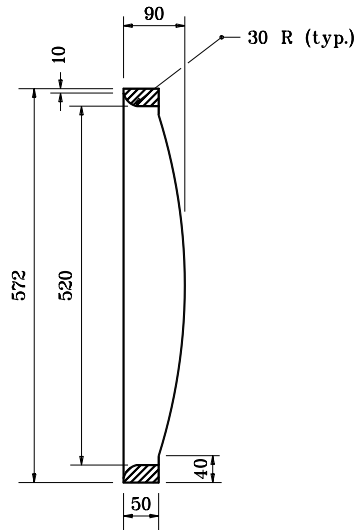


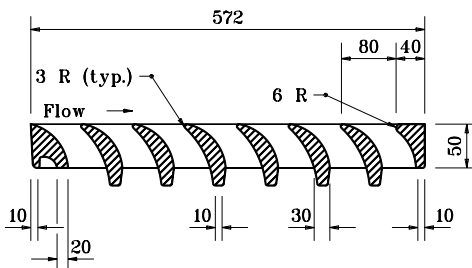
RIB DETAIL



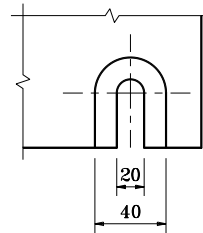
PLAN



SECTION B-B



SECTION A-A

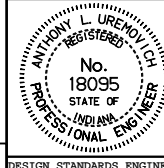


BOLT SLOT DETAIL

All dimensions are in mm unless otherwise specified.

INDIANA DEPARTMENT OF TRANSPORTATION
CASTINGS TYPE 15 AND 16
GRATE
 APRIL 1995

STANDARD DRAWING NO. 720-ICCA-17



/s/ Anthony L. Uremovich 4-03-95
 DESIGN STANDARDS ENGINEER DATE

/s/ Donald W. Lucas 4-03-95
 CHIEF HIGHWAY ENGINEER DATE

Source Sheet: **MC2**

DESIGN STANDARDS ENGINEER