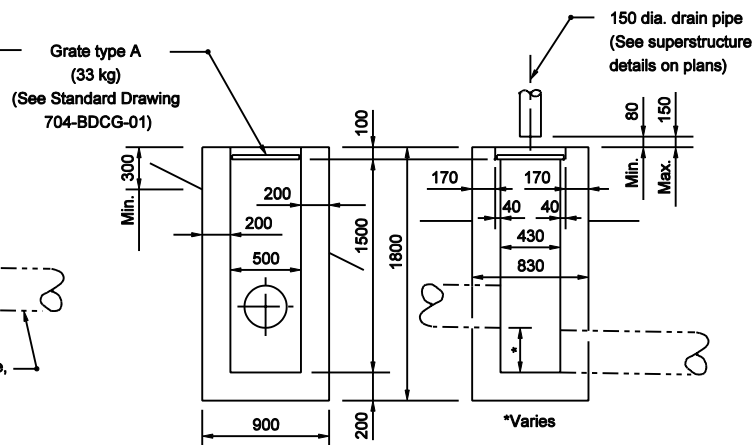
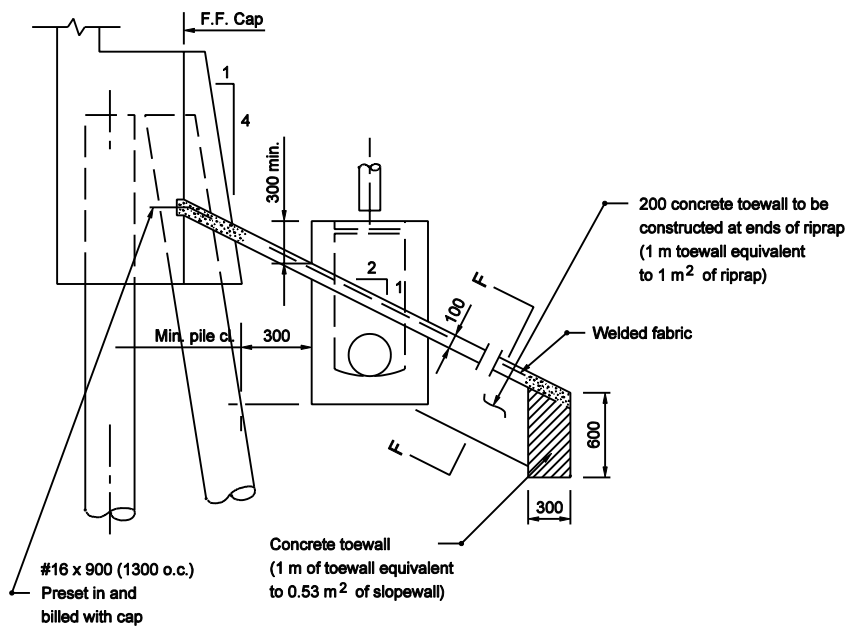


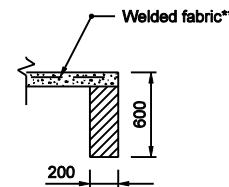
**SECTION B-B**      **SECTION C-C**  
**DETAIL OF CONCRETE INLET TYPE U**



**SECTION D-D**      **SECTION E-E**  
**DETAIL OF CONCRETE INLET TYPE W**



**SECTION A-A**  
**TYPICAL ELEVATION THRU SLOPEWALL**



**SECTION F-F**

All Dimension are in mm unless otherwise specified

INDIANA DEPARTMENT OF TRANSPORTATION

**SLOPEWALL AND DRAINAGE DETAILS**

SEPTEMBER 2003

STANDARD DRAWING NO. 616-SWCO-06

	/s/ Richard L. VanCleave	9-02-03
	DESIGN STANDARDS ENGINEER	DATE
	/s/ Richard K. Smutzer	9-02-03
	CHIEF HIGHWAY ENGINEER	DATE

DESIGN STANDARDS ENGINEER