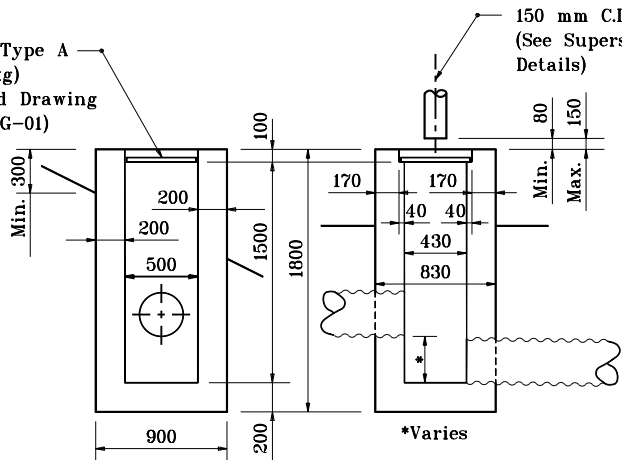


SECTION B-B

SECTION C-C

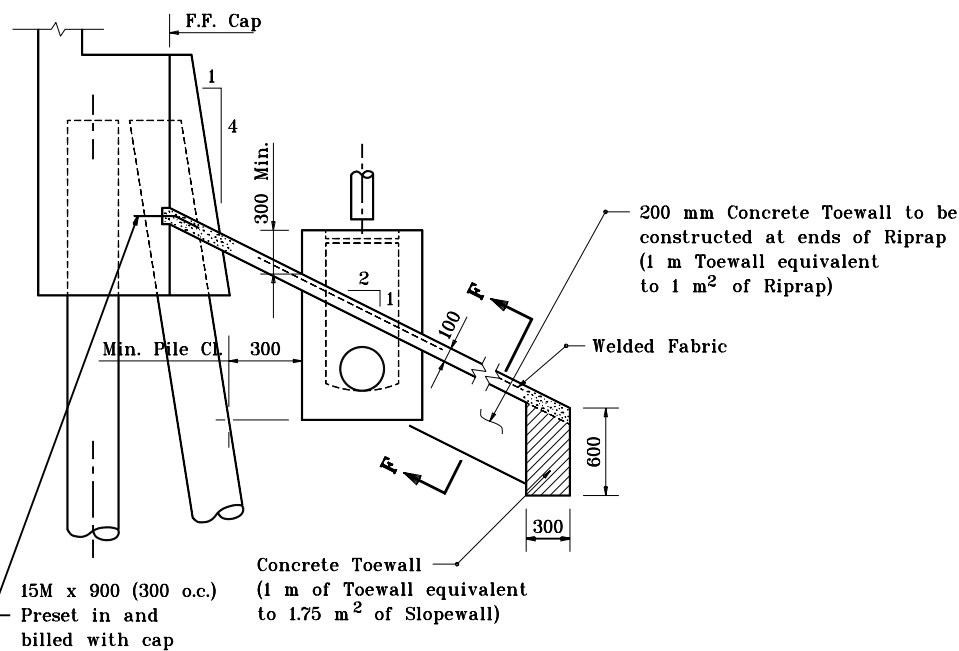
DETAIL OF CONCRETE INLET TYPE U



SECTION D-D

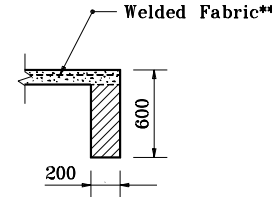
SECTION E-E

DETAIL OF CONCRETE INLET TYPE W



SECTION A-A

TYPICAL ELEVATION THRU SLOPEWALL



SECTION F-F

All dimensions are in mm unless otherwise specified.

INDIANA DEPARTMENT OF TRANSPORTATION
**SLOPEWALL AND DRAINAGE
 DETAILS**
 APRIL 1995
 STANDARD DRAWING NO. **616-SWC0-06**

ANTHONY L. UREMOWICH
 REGISTERED
 No. 18095
 STATE OF INDIANA
 PROFESSIONAL ENGINEER

/s/ Anthony L. Uremovich 4-03-95
 DESIGN STANDARDS ENGINEER DATE

/s/ Donald W. Lucas 4-03-95
 CHIEF HIGHWAY ENGINEER DATE