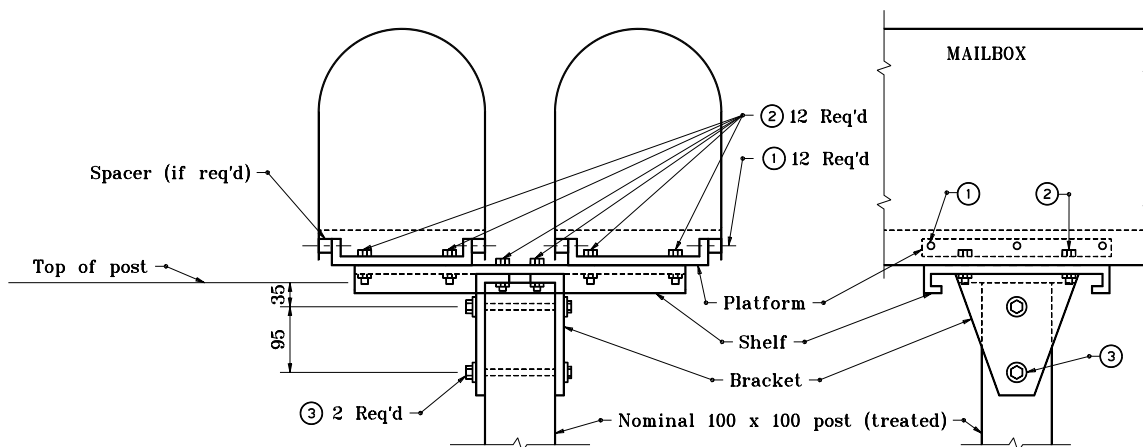
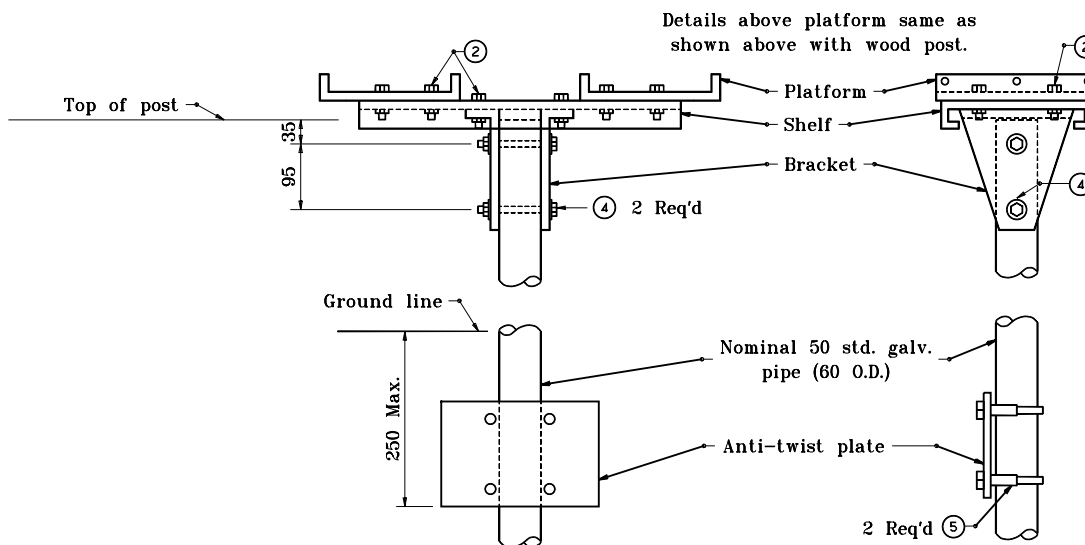


LEGEND

- ① M4 x "L" truss head machine screw with 2 M4 flat washers, M4 lock washer, and M4 hex nut.
- ② M10 x 20 hex cap screw with 2 M10 flat washers, M10 lock washers, and M10 hex nut.
- ③ M10 x 120 hex cap screw with 2 M10 flat washers, M10 lock washers, and M10 hex nut.
- ④ M10 x 80 hex cap screw with 2 M10 flat washers, M10 lock washers, M10 lock washer, and M10 hex nut.
- ⑤ Nominal 60 muffler clamp



WITH WOOD POST



WITH PIPE POST

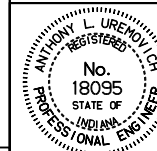
All dimensions are in mm unless otherwise specified.

INDIANA DEPARTMENT OF TRANSPORTATION

DOUBLE MAILBOX ASSEMBLY

APRIL 1995

STANDARD DRAWING NO. **611-MBAS-02**



/s/ Anthony L. Uremovich 0-00-96
DESIGN STANDARDS ENGINEER DATE

/s/ Donald W. Lucas 0-00-96
CHIEF HIGHWAY ENGINEER DATE

Source Sheet: **MH3**

DESIGN STANDARDS ENGINEER