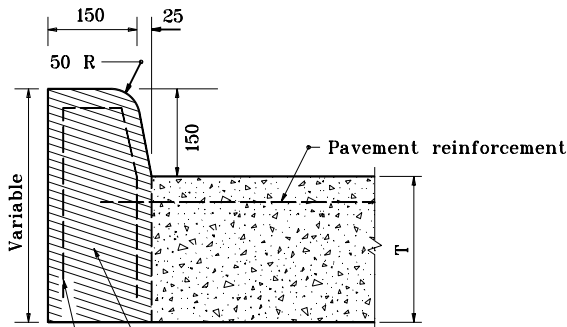


GENERAL NOTES

- ① 205 for intergral concrete curb type B or C and 150 for intergral concrete curb.

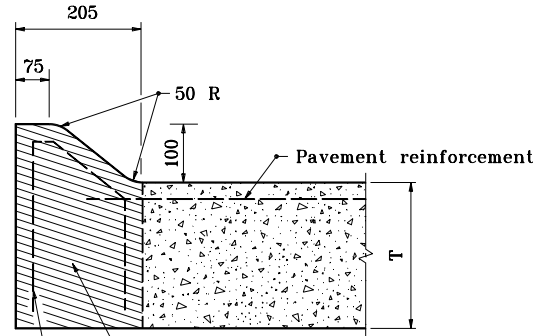
LEGEND

T = Nominal pavement thickness



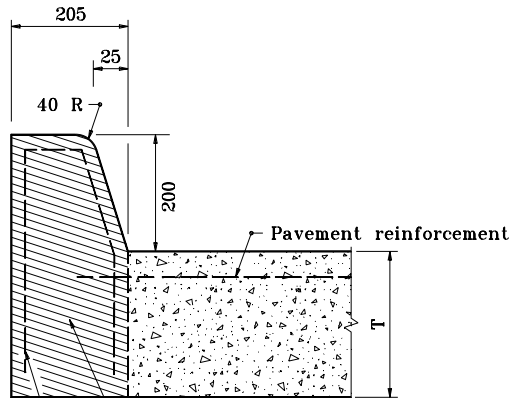
#13 stirrup bars at 600 c. to c.
Cross-hatched portion is integral concrete curb.

INTEGRAL CONCRETE CURB (BARRIER)



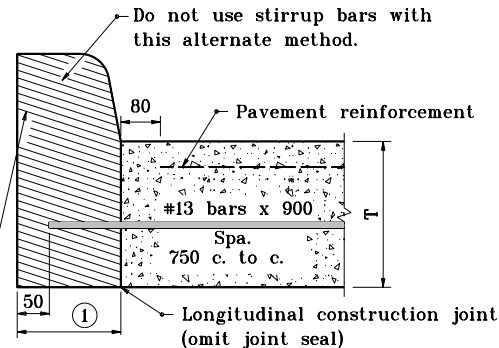
#13 stirrup bars at 600 c. to c.
Cross-hatched portion is integral concrete curb type B.

INTEGRAL CONCRETE CURB TYPE B (MOUNTABLE)



#13 stirrup bars at 600 c. to c.
Cross-hatched portion is integral concrete curb type C.

INTEGRAL CONCRETE CURB TYPE C (BARRIER)



Do not use stirrup bars with this alternate method.
Cross-hatched portion is Integral concrete curb, Integral concrete curb, type B, or Integral concrete curb, type C.

ALTERNATE METHOD OF CONSTRUCTION FOR ALL TYPES OF INTEGRAL CONCRETE CURB

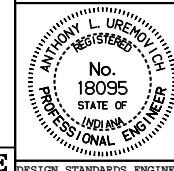
All dimensions are in mm unless otherwise specified.

INDIANA DEPARTMENT OF TRANSPORTATION

INTEGRAL CONCRETE CURB

SEPTEMBER 1997

STANDARD DRAWING NO. 605-CCIN-01



/s/ Anthony L. Uremovich 9-01-97
DESIGN STANDARDS ENGINEER DATE

/s/ Donald W. Lucas 9-01-97
CHIEF HIGHWAY ENGINEER DATE